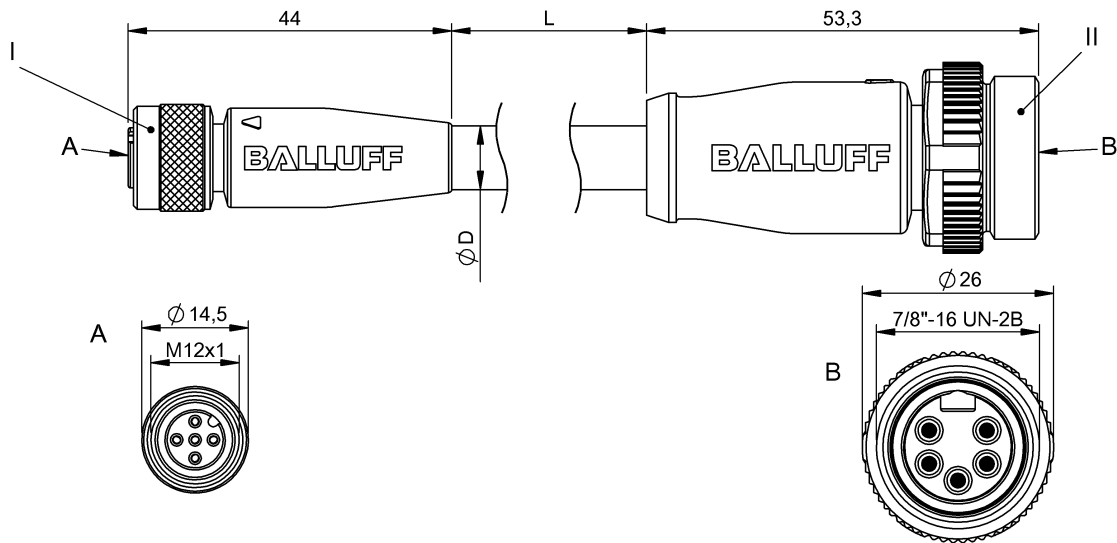


BCC M415-A315-3F-330-VS85N6-030 BCC0FMK



Electrical connection

Bending radius min., fixed cable	6 x D
Bending radius min., flexible cable	10 x D
Cable	PVC Shielded gray, 3.00 m
Cable diameter D	7.00 mm ±0.40 mm
Conductor cross-section	AWG 22/AWG 24
Number of conductors	4
Number of pins	5/5
System	Molded/Molded

Electrical data

Cable rated voltage AC max.	300.0 V
Cable rated voltage DC max.	300.0 V
Conductor construction	2x2 twisted-pair
Conductor resistance	(AWG 24) 90 Ohm/km at 20 °C (AWG 22) 55 Ohm/km at 20 °C
Coupling resistance max.	120 Ohm ±12 Ohm
Rated current (40 °C)	4.0 A

Environmental conditions

Ambient temperature	-20...80 °C
Cable temperature, fixed routing	-20...80 °C

Protection type IEC 60529

IP68 /IP67

General data

Application	DeviceNet Thin
-------------	----------------

Material

Cable shield	Aluminum foil and copper braid
Material contact carrier	PUR/PUR
Material contacts	Bronze/Brass
Material cover nut	Die-cast zinc/Die-cast zinc
Material grip	TPU/TPU

Mechanical data

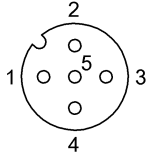
Tightening torque pigtail	0.6 Nm/1.5 Nm
---------------------------	---------------

Remarks

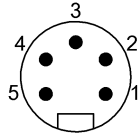
Enclosure rating per IEC 60529, only in screwed state with the associated mating piece.
Flame resistant per UL 1685 (CSA FT4)
Cable construction acc. to CMG 75°C or CL2

BCC M415-A315-3F-330-VS85N6-030
BCC0FMK

Connector view

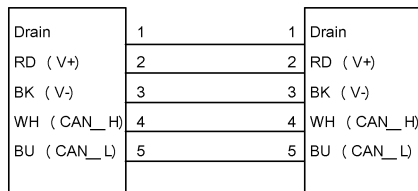


I



II

Wiring Diagram



L