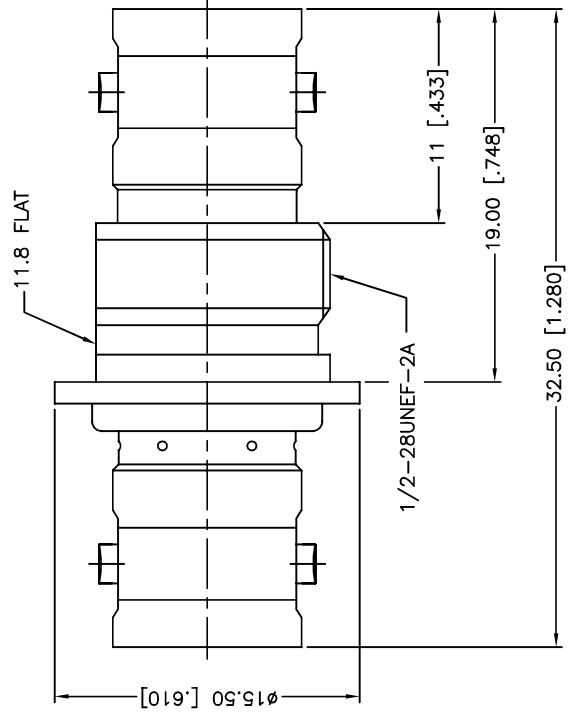
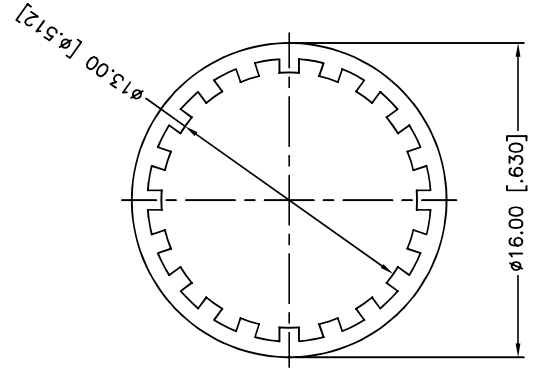
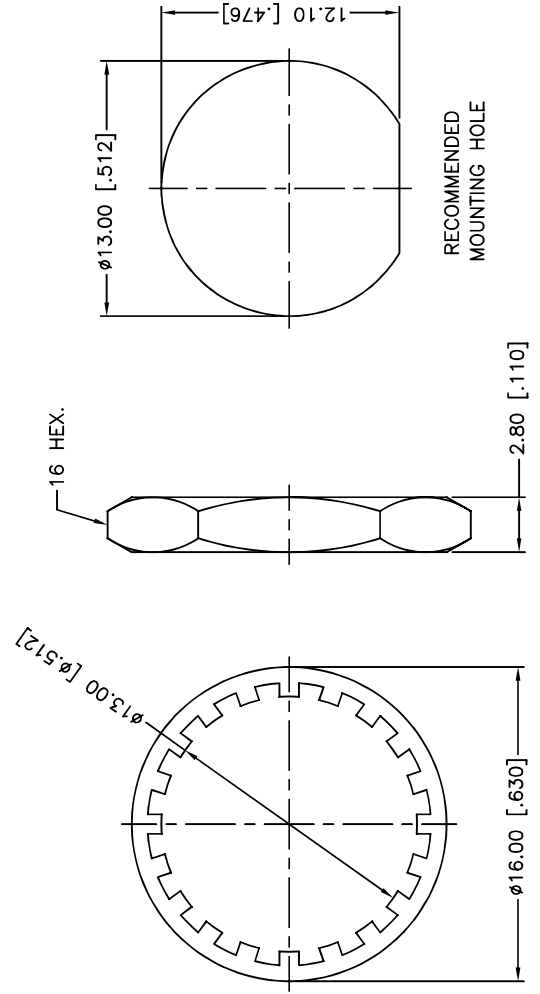


REV.	DATE	ECR NO.	DESCRIPTION
A	01/07/04	XXXXXX	UPDATE DRAWING FORMAT
B	06/22/11	2186	ADD NOTE 1, 2, 3



1. IMPEDANCE: 75 OHMS
2. FREQUENCY RANGE: 0-1 GHz
3. MAX. PANEL THICKNESS: 4.5MM

APPROVALS		DATE
DRAWN	M.ZHANG	06/22/11
CHECKED		
ISSUED		
SHEET	1 OF 1	
CAD FILE C:/CONNEX/112440.DWG		

DESCRIPTION	MATERIAL	FINISH	QTY	
5	HEX NUT	BRASS	NICKEL	1
4	LOCK WASHER	BRASS	NICKEL	1
3	CONTACT PIN	PHOSPHOR BRONZE	GOLD	1
2	INSULATOR	DELIRIN	NATURAL	1
1	BODY	BRASS	NICKEL	1
DESCRIPTION		MATERIAL	FINISH	QTY

UNLESS OTHERWISE SPECIFIED DIMENSIONS ARE IN MILLIMETERS DIMENSIONS IN [] ARE IN INCHES AND FOR CUSTOMER REFERENCE ONLY.	
TOLERANCES FOR MILLIMETERS ARE:	
0.5 - 8mm	± 0.20mm
8 - 30mm	± 0.40mm
30 - 120mm	± 0.50mm
TOLERANCES FOR INCHES ARE:	
.020 - .315	± 0.007"
.315 - 1.180	± 0.015"
1.180 - 4.724	± 0.020"

PART DESCRIPTION		REV.	SIZE	SCALE
BNC FEMALE TO FEMALE BULKHEAD ISOLATED ADAPTOR - 75 OHM		B	A	NA
PART NO. 112440				
DWG. NO. 112440.DWG				

Amphenol Connex