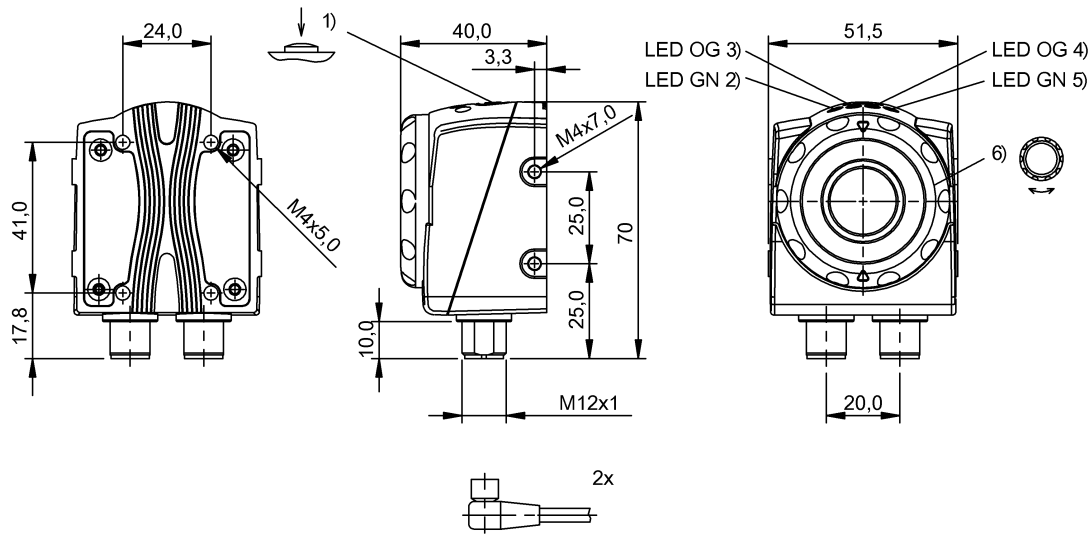


## BVS UR-3-101-E BVS001H



1) Teach-in reference image 2) Operating voltage 3) Output 1 active 4) Output 2 active 5) Connection with PC 6) Focus



### Display/Operation

Adjuster	Adjusting ring (1x) Key (1x)
Setting	Image sharpness Teach-in reference image

### Electrical connection

Connection 1	M12x1-Connector, 8-pole, A-coded
Connection 2	M12x1-Connector, 4-pole, D-coded
Contact, surface protection	Gold plated
Polarity reversal protected	yes
Short-circuit protection	yes

### Electrical data

Line-induced noise	3 A
MTTF (40 °C)	195 a
No-load current I <sub>o</sub> max. at U <sub>e</sub>	200 mA
Operating voltage U <sub>b</sub>	22...26 VDC
Rated operating current I <sub>e</sub> DC	100 mA
Rated operating voltage U <sub>e</sub> DC	24 V
Ready delay t <sub>v</sub> max.	10 ms
Voltage drop U <sub>d</sub> max. at I <sub>e</sub>	1.8 V

### Environmental conditions

Ambient temperature	-10...55 °C
EN 60068-2-27, Shock	Half-sinus, 100 gn, 2ms, 3x8000 Half-sinus, 30 gn, 11 ms, 3x6

EN 60068-2-6, Vibration

55 Hz, 1 mm amplitude, 3x30 min  
10...2000 Hz, 1 mm amplitude, 30 gn, 3x5 h  
IP54

Protection type IEC 60529

### Functional Characteristics

Detection rate typ.	3...40 Hz
Features per inspection, number max.	255
Inspections, number max.	20

### Functional safety

Diagnostic coverage	0 %
Functional safety	no
Mission Time	0 a

### General data

Approval/Conformity	CE cULus
Style	Square Connection 90°

### Material

Housing material	Aluminum, Die casting ABS
Housing material, surface protection	painted
Material sensing surface	PMMA
Surface protection	painted

### Mechanical data

Dimension	51.5 x 70 x 40 mm
-----------	-------------------

## BVS UR-3-101-E BVS001H

Fastening detail	Screw M4	Switching output	3x PNP Normally open (NO)
		Time function	On/off delay Single pulse

### Optical data

Field of view max.	480 x 360 mm
Field of view min.	24 x 18 mm
Focal length	8.0 mm
Image resolution	VGA 640 x 480 pixels
LED group per IEC 62471	Exempt Group
Light type	Infrared
Sensor type Vision	CMOS image sensor black-white
Special optical feature	Incident light, can be disabled Infrared transmission filter, 830 nm
Wave length	870 nm

### Range/Distance

Operating Distance	50...1000 mm
Ripple max. (% of Ue)	10 %

### Remarks

Detection rate is dependent on the evaluation function.  
Use of external illumination recommended for working distances greater than 300 mm .  
Only for applications per NFPA 79 (machines with a supply voltage of maximum 600 V). Appropriate connectors can be obtained from Balluff.  
Interface plug, if n.c. protect against ingress of dust, dirt and liquids. Cover cap included.  
Order accessories separately.  
Do not press key using a pointed tool.  
For additional information, refer to user's guide.

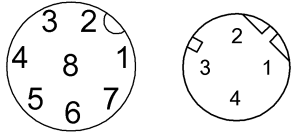
For further information on MTTF/B10d, please refer to the MTTF / B10d Certificate.

Specification of the MTTF value and the B10d value do not represent any binding quality and/or life expectancy guarantees.

### Output/Interface

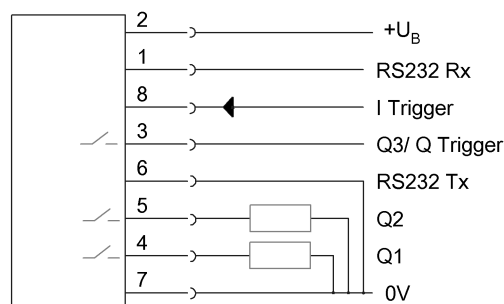
Duration of time function	Impulse 1...1000 ms or infinite
Input function	Trigger
Interface	RS232 (9.6...115.2 kBaud)
Supplementary output	Trigger output PNP

### Connector view



### Wiring Diagram

Conn. "PWR IO"



Conn. "To PC"

