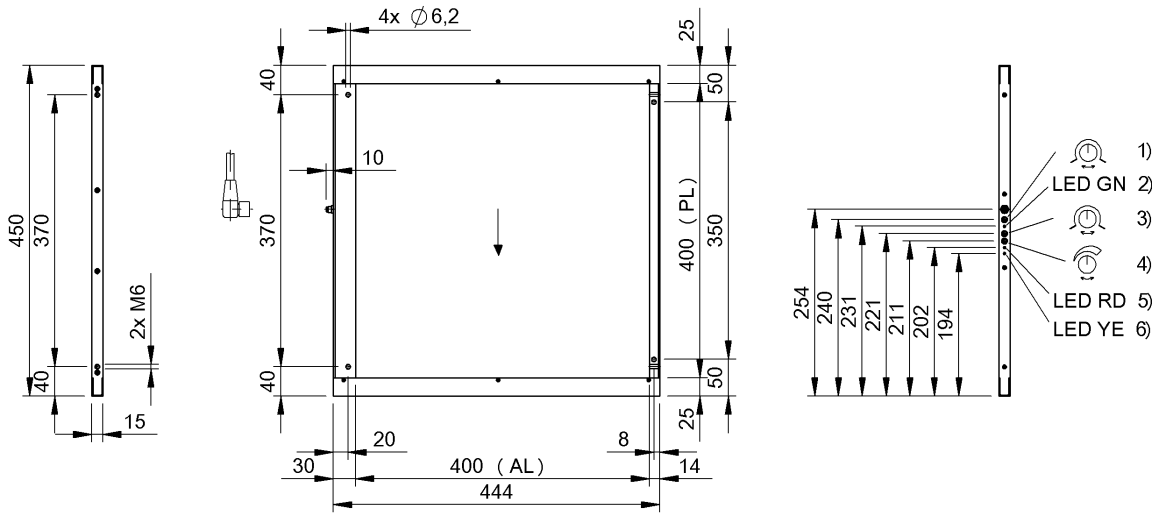


BOW B-4040-DU-C-S75 BOW003U

&[Date]



1) Pulse extender 2) LED Power 3) Switching function 4) Object resolution 5) LED warning indicator 6) LED function indicator 7) Optical axis



Display/Operation

Adjuster	Potentiometer 270° (3x)
Setting	Pulse extension (On/Off) Object resolution (3 levels) Light-on/dark-on

Electrical connection

Connection	M8x1-Connector, 4-pole
Contact, surface protection	Gold plated
Polarity reversal protected	yes
Short-circuit protection	yes

Electrical data

No-load current I_0 max. at U_e	400 mA
Operating voltage U_b	15...30 VDC
Rated insulation voltage U_i	75 V DC
Rated operating current I_e DC	200 mA
Rated operating voltage U_e DC	24 V
Ready delay t_v max.	300 ms
Residual current I_r max.	50 μ A
Switching frequency	400 Hz
Turn-off delay t_{off} max.	1.25 ms
Turn-on delay t_{on} max.	1.25 ms
Voltage drop U_d max. at I_e	3.5 V

Environmental conditions

Ambient temperature	-10...55 °C
Protection type IEC 60529	IP65

General data

Additional features	Static switching output with automatic readjustment of the switching threshold Contamination compensation up to 60% intensity loss and reduced object resolution depending on degree of contamination.
Approval/Conformity	CE
Basic standard	IEC 60947-5-2
Series	B
Style	Frame

Material

Housing material	Aluminum
Material sensing surface	PMMA
Surface protection	anodized, black

Mechanical data

Active window (PL x AL)	400 x 400 mm
Dimension	15 x 450 x 454 mm
Fastening detail	Screw M6
Smallest part typ.	4.0 mm (resolution "High")

Optical data

Ambient light max.	2000 Lux
Beam characteristic	Divergent
Light type	Infrared pulsed
Principle of optical operation	Through-beam sensor

BOW B-4040-DU-C-S75 BOW003U

Output/Interface

Duration of time function	T = 50 ms
Switching output	NPN static Normally open/ Normally closed (NO/NC) PNP static Normally open/ Normally closed (NO/NC)
Time function	switch-off delay

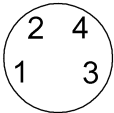
Remarks

Order accessories separately.
For additional information, refer to user's guide.
Do not route connection cable parallel to high voltage lines.
Reference object (target): Steel ball, diameter 4.0 mm, lateral approach.
The sensor is functional again after the overload has been eliminated.

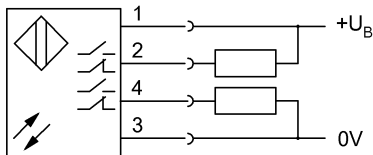
Range/Distance

Ripple max. (% of Ue)	15 %
-----------------------	------

Connector view



Wiring Diagram



Symbols for Optoelectronic Sensors

