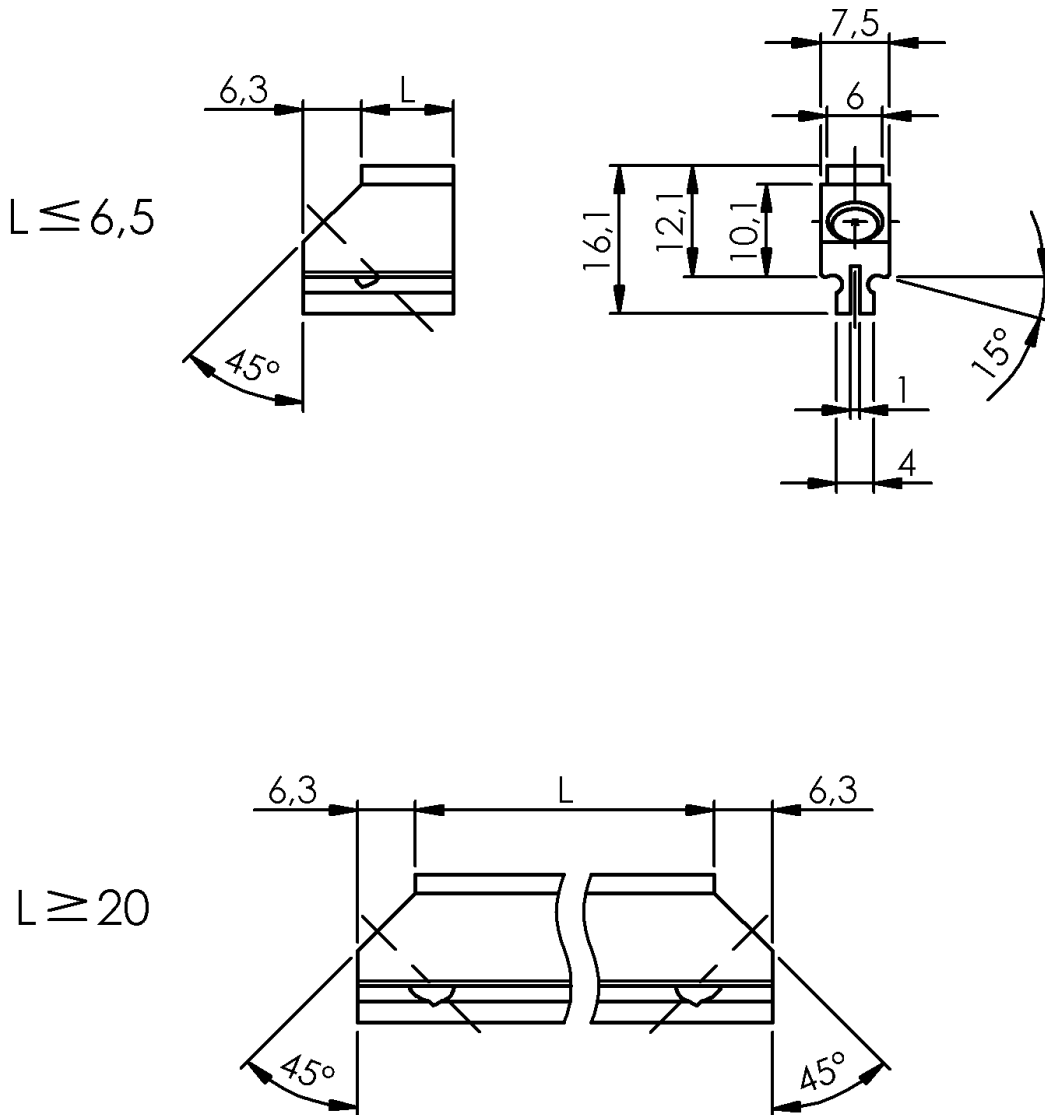


BEN 516-19-20  
BEN0038



## Material

Material sensing surface  
Surface protection

Steel  
bronzed

## Mechanical data

Clamping system  
Foot shape for  
Foot width  
Height above cam tray

Expansion clamp  
U-slot  
4.00 mm  
12.10 mm

## BEN 516-19-20 BEN0038

Switch position spacing	10 mm 8 mm	Use for cam tray	BNL 5304-080-... BNL 5308-100-... BNL 5306-100-...
Switching surface, length (L)	20 mm	Width of switching area	6.00 mm