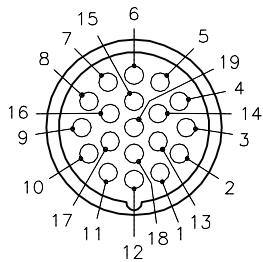
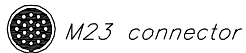


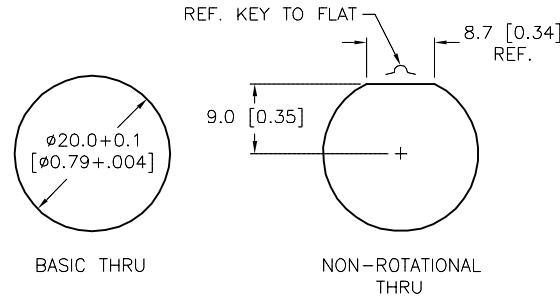
FEMALE END VIEW



- 1 = N/C
- 2 = N/C
- 3 = GRAY
- 4 = RED/BLUE
- 5 = GREEN
- 6 = BLUE
- 7 = GRAY/PINK
- 8 = WHITE/GREEN
- 9 = N/C
- 10 = N/C
- 11 = N/C
- 12 = GREEN/YELLOW
- 13 = N/C
- 14 = BROWN/GREEN
- 15 = WHITE
- 16 = YELLOW
- 17 = N/C
- 18 = N/C
- 19 = BROWN

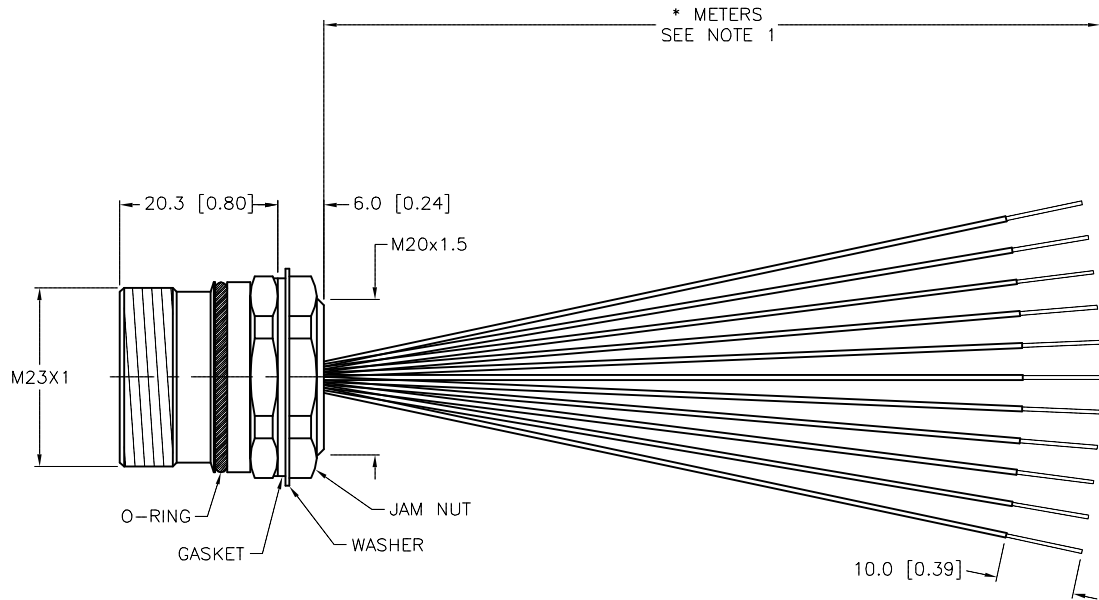
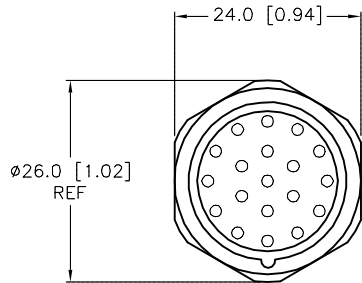


PANEL CUTOUT (TYPICAL)



SPECIFICATIONS

CONTACT CARRIER MATERIAL/COLOR	NYLON or PBT/GRAY
CONTACT MATERIAL/PLATING	BRASS/GOLD
CONNECTOR HOUSING MATERIAL/PLATING	BRASS/NICKEL
O-RING/GASKET GASKET	RUBBER (NBR or FPM)
RATED CURRENT [A]	9.0 A (PINS 6,12,19), 2.0 A (ALL OTHERS)
RATED VOLTAGE [V]	150 V
CONDUCTOR INSULATION MATERIAL	PVC
MAXIMUM CONDUCTOR SIZE (AWG)	3x18 AWG, 8x22 AWG
TEMPERATURE RANGE	-40°C TO +105°C (-40°F TO +221°F)
PROTECTION CLASS	MEETS IEC IP67
MAXIMUM PANEL THICKNESS	3.5 [0.138]



NOTES:

1. "\*" INDICATES LEAD LENGTH IN METERS. CONTACT TURCK TO ORDER SPECIFIC LENGTHS.

SOURCE DRAWING - FOR REFERENCE ONLY

RELATED DOCUMENTS		3RD ANGLE PROJECTION		THIS DRAWING IS CONFIDENTIAL AND THE PROPERTY OF TURCK INC. USE OF THIS DOCUMENT WITHOUT WRITTEN PERMISSION IS PROHIBITED.		<b>TURCK INC</b> High Technology Sensors and Automation Controls 3000 CAMPUS DRIVE MINNEAPOLIS, MN 55441 1-800-544-7769 (763) 553-7300 (763) 553-0708 fax turck.com	
1. 2. 3. 4.				DRFT CBM DATE 03/10/99		DESCRIPTION CKF 19-11-*	
MATERIAL		ALL DIMENSIONS DISPLAYED ON THIS DRAWING ARE FOR REFERENCE ONLY		DSGN SCALE 1=1.0		IDENTIFICATION NO.	
FINISH		CONTACT TURCK FOR MORE INFORMATION		UNIT OF MEASUREMENT <b>MILLIMETER [ INCH ]</b>		REV E	
E UPDATE DRAWING TO M23 STANDARDS, SEE ECO		RWC 07/27/10 31201		DO NOT SCALE THIS DRAWING		FILE: 777000820	
REV DESCRIPTION		BY DATE ECO NO.				SHEET 1 OF 1	