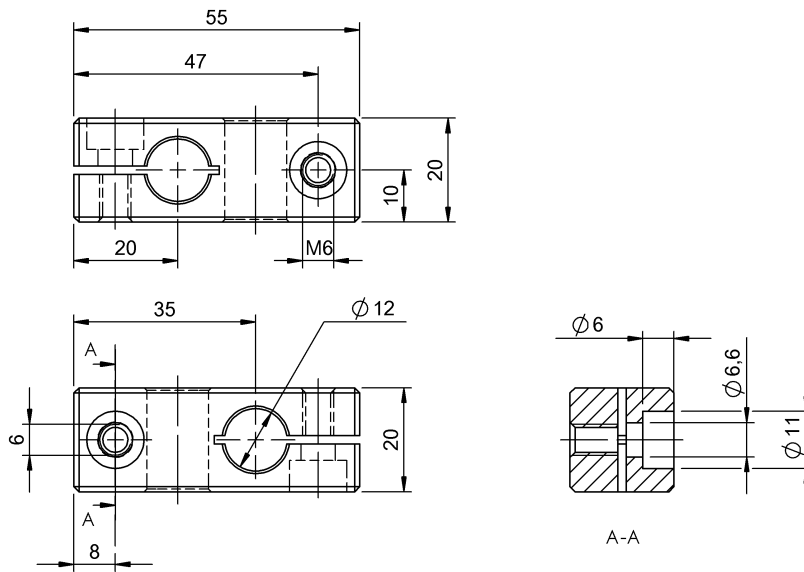


BMS CC-M-D12-B-00
BAM002Z



General data

Scope of delivery	Clamp holder (1x) Screw ISO 4762-M6x14 (2x)
Style	Cross-connector
Use	for BMS for holding rods with Ø12mm

Material

Housing material	Aluminum
Surface protection	anodized

Mechanical data

Dimension	55 x 20 x 20 mm
-----------	-----------------