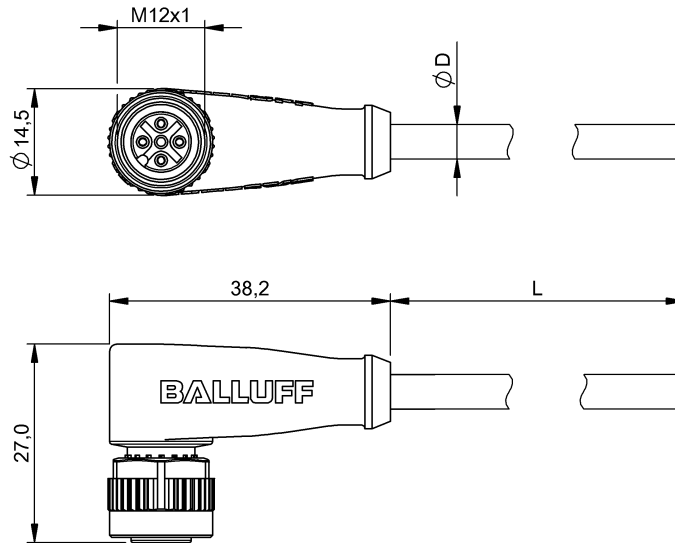


BCC M425-0000-1A-005-VX43T2-020
BCC05U9



4MT5
(CJ/V CABLE ASSEMBLY)

Display/Operation

Function indicator (Pin 2)	LED yellow
Power indicator	LED green

Electrical connection

Bending radius min., fixed cable	5 x D
Bending radius min., flexible cable	10 x D
Cable	PVC yellow, 2.00 m, Drag chain compatible
Cable diameter D	4.70 mm ±0.15 mm
Cable, bending cycles min.	2 million
Conductor cross-section	AWG 22
Number of conductors	3
Number of pins	5
System	Molded

Electrical data

Cable rated voltage AC max.	300.0 V
Cable rated voltage DC max.	300.0 V
Horizontal travel permitted, drag chain	5 m
Operating voltage U_b	36 VDC
Rated current (40 °C)	4.0 A
Vertical travel permitted, drag chain	2 m

Environmental conditions

Cable temperature, drag chain	-5...60 °C
Cable temperature, fixed routing	-40...105 °C

Cable temperature, flexible routing	-5...105 °C
Protection type IEC 60529	IP68

General data

Approval/Conformity	cULus LISTED
---------------------	--------------

Material

Material contact carrier	PUR
Material contacts	Bronze
Material cover nut	Die-cast zinc
Material grip	TPU

Mechanical data

Acceleration max., drag chain	5 m/s ²
Tightening torque pigtail	0.6 Nm
Traverse speed max., drag chain	200 m/min

Output/Interface

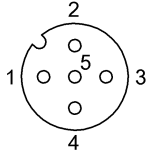
Switching output	PNP Normally closed (NC)
------------------	--------------------------

Remarks

Enclosure rating per IEC 60529, only in screwed state with the associated mating piece.
Bulk cable approval per UL-AWM Style 2661 & CSA AWM I/II A/B

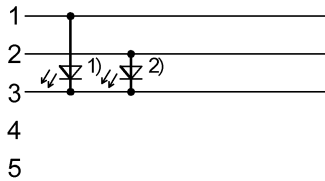
BCC M425-0000-1A-005-VX43T2-020
BCC05U9

Connector view



PIN 1: brown PIN 2: black PIN 3: blue

Wiring Diagram



1) Green LED = Power 2) Yellow LED = Function