

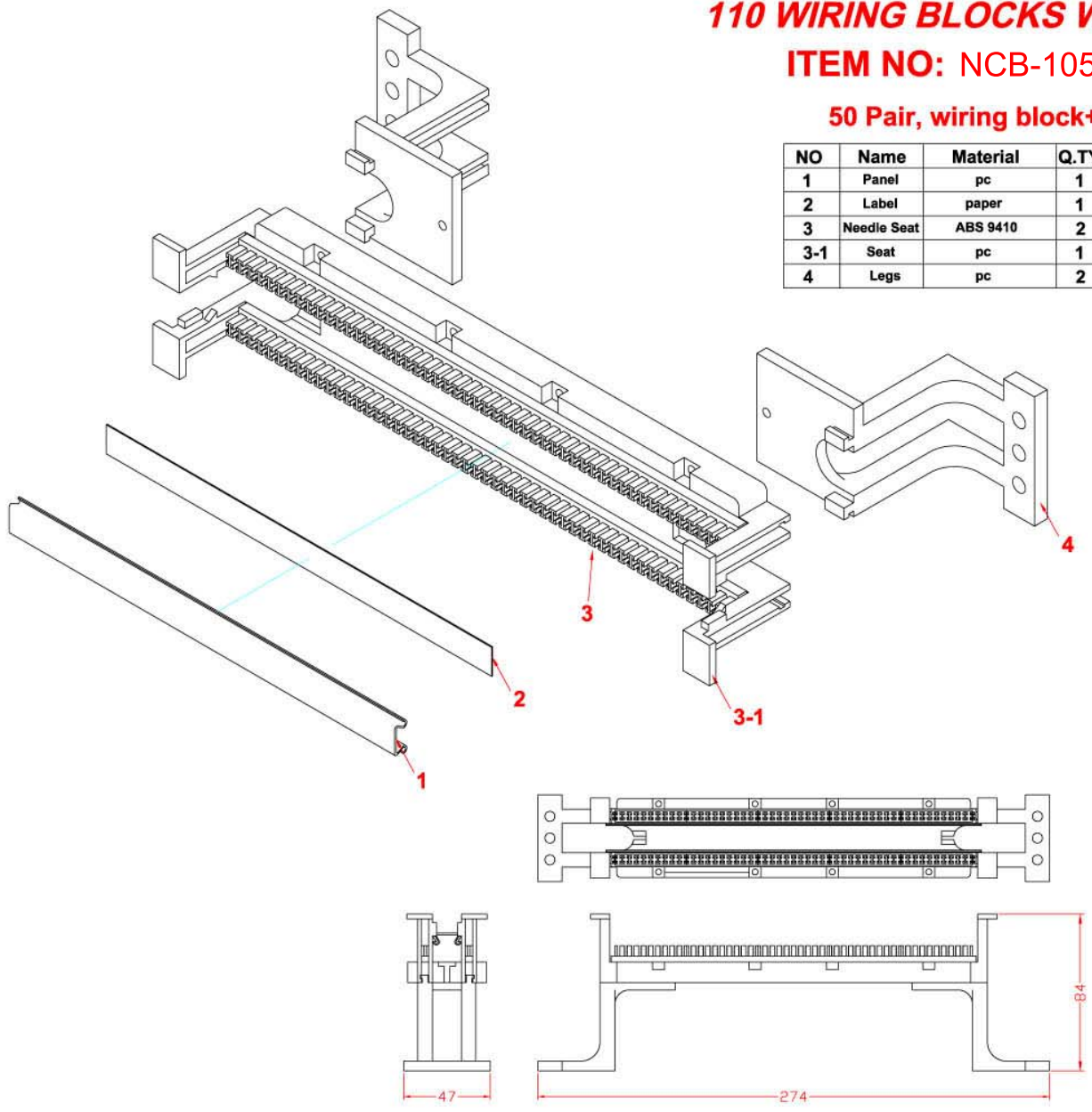
RevNo	Revision note	Rev-By	RevDate	Signature	Checked

110 WIRING BLOCKS WITH LEGS

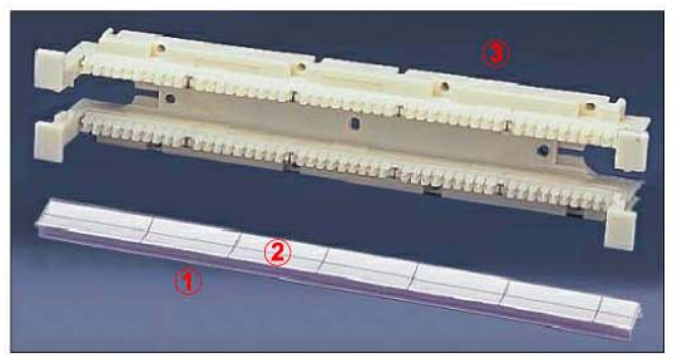
ITEM NO: NCB-1050

50 Pair, wiring block+legs

NO	Name	Material	Q.TY	COLOR
1	Panel	pc	1	LIMPID
2	Label	paper	1	WHITE
3	Needle Seat	ABS 9410	2	IVORY
3-1	Seat	pc	1	IVORY
4	Legs	pc	2	IVORY



50 pair, 110 mount legs (set of 2)



ITEM NO:				
CUSTOMER NO:				
DESIGNED BY:	DATE	070305	UNIT	MM
ALEX	SCALE	xx	VER.	1
NO:	Checked by			
APPR:	Approved by -date			

