



22MM ROUND METAL ACTUATOR: RONIS LOCK WITH 2 KEYS MAINTAINED CONTACT 3 SWITCH POSITIONS I-O-II LOCK NUMBER SB 30, REMOVE I+II WITH HOLDER POSSIBLE SPECIAL LOCKS FOR RONIS KEYSWITCHES: SB31, 455, 421

Actuator:		
Design of the product		Single device round
Design of the operating mechanism		Key-operated switch
External diameter / of the activation element	mm	28.5
Functionality / of the actuator		Latching
Type of unlocking device		key unlatching
Color / of the activation element		Silver
Material / of the activation element		metal
Make of the lock		RONIS
Number of switching positions		3
Switch position for key distraction		I+II
Actuating angle		
• clockwise	°	50
• anticlockwise	°	50
Product component / front ring		Yes
Material / of the front ring		metal
Color / of the front ring		silver
Design of the front ring		Standard
Product function / EMERGENCY STOP function		No

**Holder:**
**Material / of the holder**

Metal

**General technical data:**
**Resistance against shock**

- for devices without incandescent lamp / according to IEC 60068-2-27

&lt;= 50g

**Resistance against vibration / according to IEC 60068-2-6**

20 ... 200 Hz: 5g

**Operating cycles / maximum**

1/h

1,000

**Mechanical operating cycles as operating time / typical**

300,000

**Product extension / optional / fluorescent materials**

No

**Reference code**

- according to DIN EN 61346-2
- according to DIN 40719 extended according to IEC 204-2 / according to IEC 750

S

S

**Tightening torque / of the screws in the bracket / maximum**

N-m

1

**Ambient temperature**

- during operating
- during storage

°C

-25 ... +70

°C

-40 ... +80

**Protection class IP**

IP67

**climatic class / during the operating phase / according to EN 60721**

3K6

**Mounting type**

front mounting

**Shape / of the installation hole**

round

**Installation width**

mm

28.5

**Mounting diameter**

mm

22

**Mounting height**

mm

44

**Mounting depth**

mm

29

**Certificates/ approvals:**
**General Product Approval**
**Declaration of Conformity**
**Test Certificates**


CSA



UL



EG-Konf.

[Special Test Certificate](#)
**Shipping Approval**


ABS



DNV



LRS



PRS



RINA

**other**
[Confirmation](#)
[other](#)
[Environmental Confirmations](#)

Further information:

Information- and Downloadcenter (Catalogs, Brochures,...)

<http://www.siemens.com/industrial-controls/catalogs>

Industry Mall (Online ordering system)

<http://www.siemens.com/industrial-controls/mall>

Cax online generator

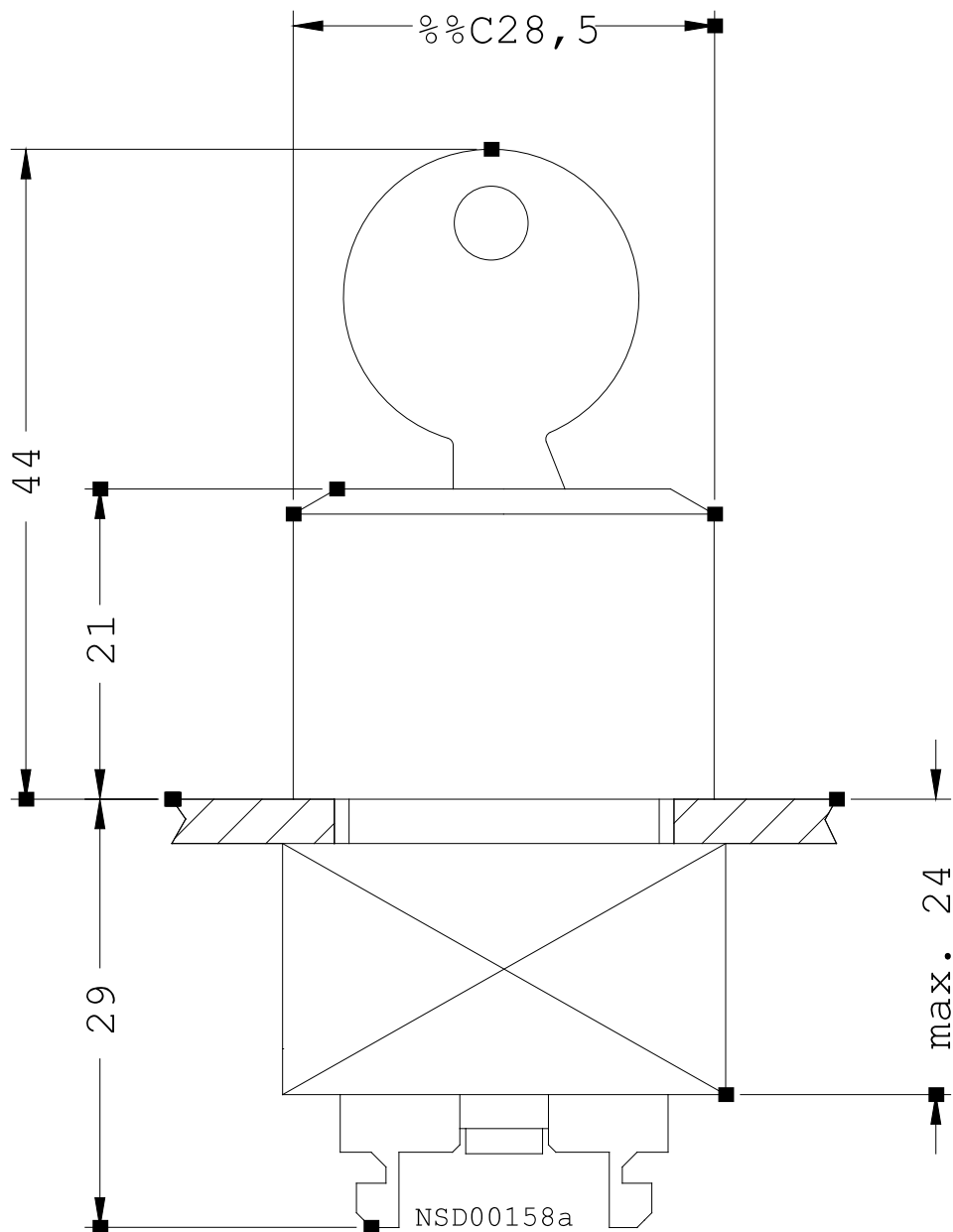
<http://www.siemens.com/cax>

Service&Support (Manuals, Certificates, Characteristics, FAQs,...)

<http://support.automation.siemens.com/WW/view/en/3SB3500-4DD41/all>

Image database (product images, 2D dimension drawings, 3D models, device circuit diagrams, ...)

[http://www.automation.siemens.com/bilddb/cax\\_en.aspx?mlfb=3SB3500-4DD41](http://www.automation.siemens.com/bilddb/cax_en.aspx?mlfb=3SB3500-4DD41)



last change:

Jul 7, 2014