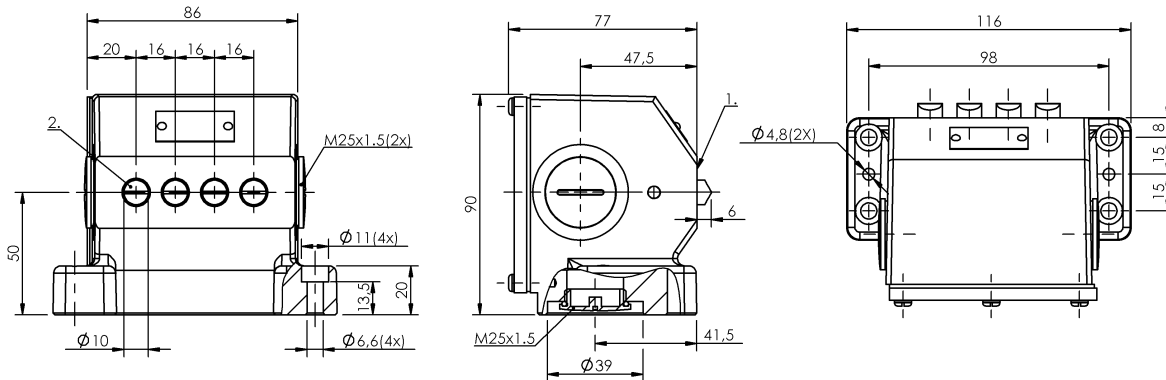


BNS 819-B04-D16-72-10 BNS0252



1) Reference edge 2) 1st pos.



Display/Operation

Function indicator 1-4. Switch position: None

Electrical connection

Connection type 1-4. Switch position: Screw terminal
Connector configuration undefined

Electrical data

Continuous current 1-4. Switch position: 6 A
Rated operating voltage U_e 1-4. Switch position: 250 VAC
Switching function mechanical Dual changeover
One NO and one NC
galvanically isolated
Double-interrupting
Switching rate 1-4. Switch position: 300/min

Environmental conditions

Ambient temperature -5...85 °C
Protection type IEC 60529 IP67

Functional safety

B10d BSE 30.0: 30 mil. switching cycles
Diagnostic coverage 0.0 %
Functional safety no
Mission Time 20 a

General data

Approval/Conformity CE
CCC
CSA
Basic standard IEC 60947-5-1
Operating principle 1-4. Switch position:
mechanical
Version Snap contact

Material

Housing material Aluminum
Material contacts 1-4. Switch position: Fine silver,
gold plated
Plunger material 1-4. Switch position: Stainless
steel (1.4034)
Surface protection anodized

Mechanical data

Approach direction Vertical to mounting surface
Approach speed 1-4. Switch position: 40 m/min
Dimension 116 x 90 x 77 mm
Distance cam - reference edge 1-4. Switch position: 2.50...
3.00 mm
Flange, feed-through 1 threaded exit M25
Installation Vertical
Life expectancy mechanical 1-4. Switch position: 30 mil.
switching operations
Number of switching positions 4x Chisel
Plunger spacing 1st switch position 50 mm
Plunger style 1-4. Switch position: Chisel
Switch actuation force 1-4. Switch position: 20 N
Switching element 1-4. Switch position: BSE 30.0

BNS 819-B04-D16-72-10 BNS0252

Range/Distance

Reproducibility	1-4. Switch position: ± 0.002 mm
Switch position spacing	16 mm

Specification of the MTTF value and the B10d value do not represent any binding quality and/or life expectancy guarantees.

Note that the products listed here are not themselves safety components according to the Machine Directive 2006/42/EG Article 2 c. It is however possible to create corresponding structures with a high Performance Level per EN 13849-1 by means of two-channel utilization.

Wiring Diagram

BSE 30.0

