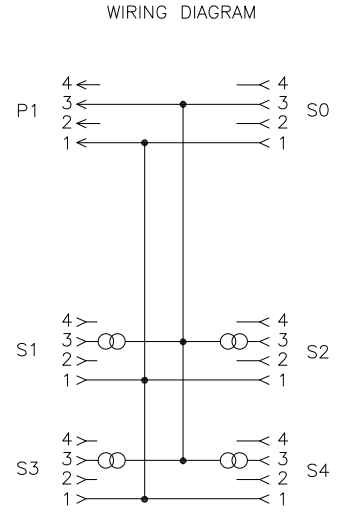
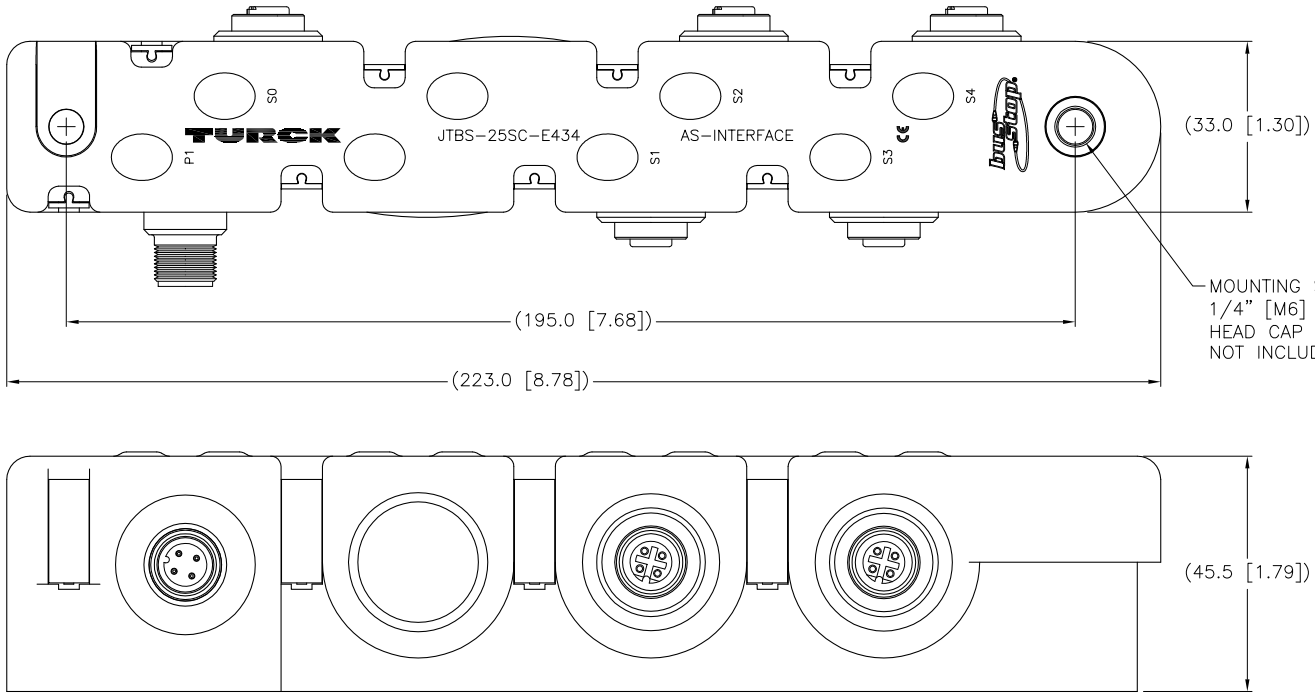

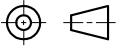


SPECIFICATIONS	
HOUSING MATERIAL/COLOR	POLYURETHANE/BLACK
RECEPTACLE HOUSING	NICKEL-PLATED BRASS
CONTACT CARRIERS/COLOR	TPU/BLACK
CONTACTS	GOLD-PLATED BRASS
SHORT-CIRCUIT PROTECTION	280 mA
OPEN CIRCUIT VOLTAGE	33 VDC
CURRENT CONSUMPTION	11 mA
PROTECTION CLASS	NEMA 1,3,4,6,13 AND IEC IP67
OPERATING TEMPERATURE	-30°C to 80°C (-22°F to 176°F)
LED INDICATION, GREEN	BUS POWER (P1,S0)
LED INDICATION, RED	SHORT CIRCUIT INDICATION (S1-S4)



SOURCE DRAWING - FOR REFERENCE ONLY

NOTES:
1. THIS DEVICE IS EQUIVALENT TO TWO (2) SLAVES ON THE NETWORK.

RELATED DOCUMENTS		3RD ANGLE PROJECTION		THIS DRAWING IS PROPERTY OF TURCK INC. USE OF THIS DOCUMENT WITHOUT WRITTEN PERMISSION IS PROHIBITED.		 High Technology Sensors and Automation Controls		3000 CAMPUS DRIVE MINNEAPOLIS, MN 55441 1-800-544-7769 (763) 553-7300 (763) 553-0708 fax turck.com	
1. 2. 3. 4.				DRFT	RDS	DATE	03/15/02	DESCRIPTION JTBS-25SC-E434	
MATERIAL				DSGN	GC	SCALE	1=1.5		
FINISH		ALL DIMENSIONS DISPLAYED ON THIS DRAWING ARE FOR REFERENCE ONLY		UNIT OF MEASUREMENT		IDENTIFICATION NO.		REV	
				MILLIMETER [INCH]		U8661-44		G	
G DRAWING PROCESSED AS PART OF ECO 33971		CBM 04/07/11 33971		DO NOT SCALE THIS DRAWING		FILE: U8661-44		SHEET 1 OF 1	
REV	DESCRIPTION	BY	DATE	ECO NO.					