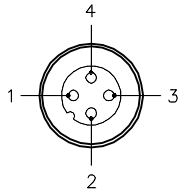


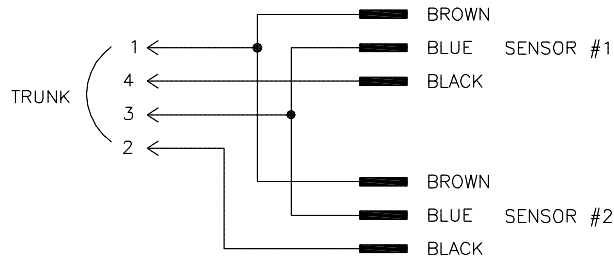
MALE END VIEW



- 1 = (+) VOLTAGE
- 2 = SENSOR 2 (OUTPUT)
- 3 = (-) VOLTAGE
- 4 = SENSOR 1 (OUTPUT)

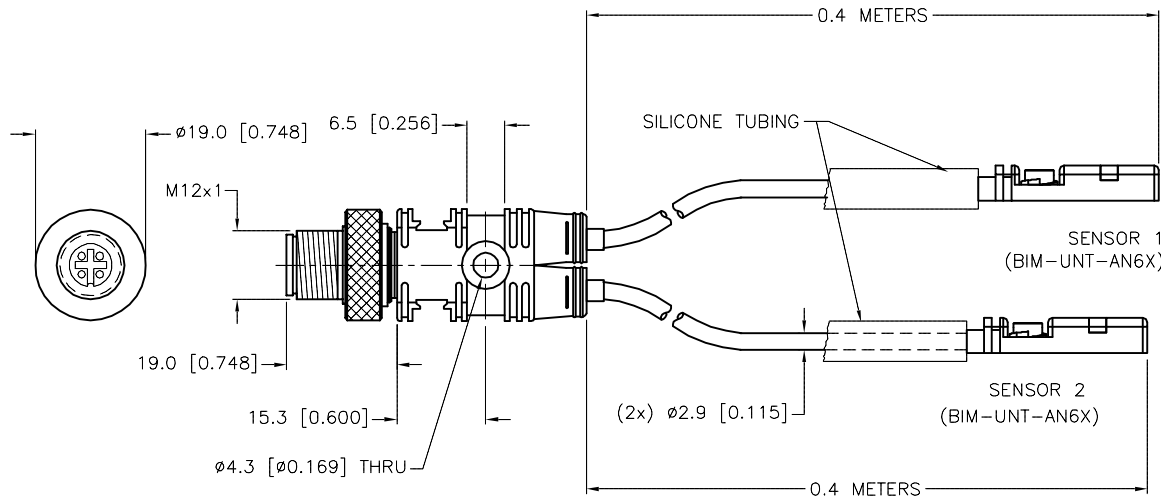


WIRING DIAGRAM



SPECIFICATIONS

| CONTACT CARRIER MATERIAL (EURO)       | NYLON OR TPU                                   |
|---------------------------------------|--|
| MOLDED HEAD MATERIAL/COLOR (VBRS)     | TPU/YELLOW                                     |
| CONTACT MATERIAL/PLATING (EURO)       | BRASS/GOLD                                     |
| COUPLING NUT MATERIAL/PLATING (EURO)  | BRASS/NICKEL                                   |
| SENSOR SPECIFICATIONS                 |  |
| OPERATING VOLTAGE                     | 10-30 VDC                                      |
| RIPPLE                                | ≤ 10%  |
| HYSTERESIS                            | ≤ 1 mm   |
| VOLTAGE DROP ACROSS CONDUCTING SENSOR | ≤ 2.0 V at 200 mA                              |
| OUTPUT FUNCTION                       | NORMALLY OPEN, 3-WIRE, NPN                     |
| TTL COMPATIBLE                        | NO   |
| SHORT-CIRCUIT PROTECTED               | YES  |
| DC RATED OPERATION CURRENT            | ≤ 150 mA PER SENSOR                            |
| OFF-STATE (LEAKAGE) CURRENT           | < 30 mA  |
| NO-LOAD CURRENT                       | ≤ 10 mA PER SENSOR                             |
| TIME DELAY BEFORE AVAILABILITY        | ≤ 3 ms   |
| POWER-ON EFFECT PROTECTION            | INCORPORATED                                   |
| REVERSE POLARITY PROTECTION           | INCORPORATED                                   |
| WIRE-BREAK PROTECTION                 | INCORPORATED                                   |
| PROTECTION AGAINST TRANSIENTS         | EN 60947-5-2                                   |
| OPERATING TEMPERATURE                 | -25°C to +70°C (-13°F to +158°F)               |
| ENCLOSURE                             | MEETS NEMA 1, 3, 4, 6, 13 AND IEC IP67         |
| SHOCK                                 | 30 g, 11 ms                                    |
| VIBRATION                             | 55 Hz, 1 mm AMPLITUDE (IN ALL 3 PLANES)        |
| LED FUNCTION                          | YELLOW: OUTPUT ENERGIZED                       |
| SWITCHING FREQUENCY                   | 1000 Hz  |
| REPEATABILITY                         | ≤ 0.1 mm<br>(CONSTANT TEMPERATURE AND VOLTAGE) |
| TEMPERATURE DRIFT                     | ≤ 0.1 mm                                       |
| PERMISSIBLE SPEED                     | ≤ 10 m/second                                  |



NOTES:

1. "/CS11680" DESIGNATES VBRS SPLITTER WITH (2)BIM-UNT SENSORS MOLDED ON. SENSORS HAVE CABLE LENGTHS OF 0.4M WITH A TOLERANCE OF +50MM/-0MM. 1/4"

SILICONE TUBING ADDED OVER EACH CABLE, NO HEAT SHRINK. 200MM TUBING ON 0.4M. (SILICONE WILL NOT HAVE HEAT SHRINK, BUT WILL MOVE FREELY ON THE CABLES.

PIN 1 (+) PIN 2 (LOAD BRANCH #2)  
PIN 3 (-) PIN 4 (LOAD BRANCH #1).

VBRS HOUSING SHOULD HAVE S857 DESIGNATION TO INCLUDE MOUNTING HOLES

2. "/SV" DESIGNATES SPECIAL PACKAGING FOR VENDING MACHINES.

SOURCE DRAWING - FOR REFERENCE ONLY

|   |                          |  |      |   |          |
|---|--------------------------|--|------|---|----------|
| RELATED DOCUMENTS<br>1.<br>2.<br>3.<br>4. | 3RD ANGLE PROJECTION<br> | THIS DRAWING IS CONFIDENTIAL AND THE PROPERTY OF TURCK INC. USE OF THIS DOCUMENT WITHOUT WRITTEN PERMISSION IS PROHIBITED. |      | 3000 CAMPUS DRIVE<br>MINNEAPOLIS, MN 55441<br>1-800-544-7769<br>(763) 553-7300<br>(763) 553-0708 fax<br>turck.com |          |
|   |                          | DRFT   | RDS  | DATE  | 05/11/12 |
| MATERIAL                                  | SEE SPECIFICATIONS       | APVD   | J.M. | SCALE   | 1=1.0    |
| FINISH                                    | SEE SPECIFICATIONS       | UNIT OF MEASUREMENT  |      | IDENTIFICATION NO.  |          |
|   |                          | MILLIMETER [ INCH ]  |      | S4685720-012  |          |
|   |                          | CONTACT TURCK FOR MORE INFORMATION   |      | REV<br>D  |          |
|   |                          | DO NOT SCALE THIS DRAWING  |      | FILE: S4685720-012  |          |
|   |                          |  |      | SHEET 1 OF 1  |          |

|     |                               |     |          |         |
|-----|-------------------------------|-----|----------|---------|
| D   | UPDATE SPECIFICATIONS PER ECO | KMY | 07/22/14 | 46592   |
| REV | DESCRIPTION                   | BY  | DATE     | ECO NO. |