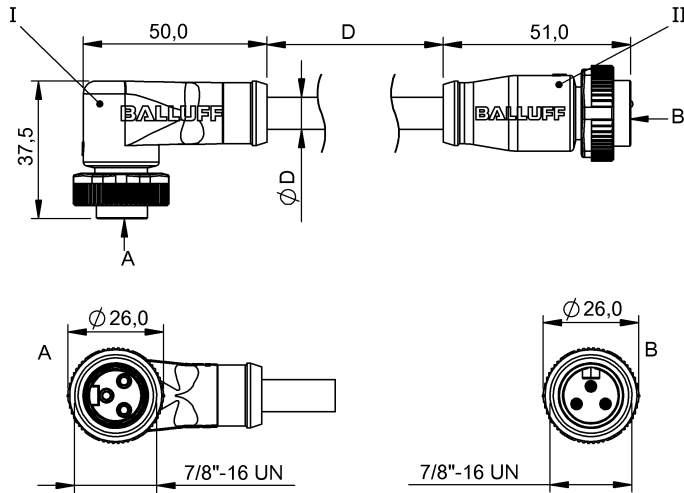


BCC A323-A313-70-345-VX43W6-020
BCC09AZ



4MT5
(CJ/V CABLE ASSEMBLY)

Electrical connection

Cable	PVC yellow, 2.00 m
Cable diameter D	10.24 mm ±0.20 mm
Conductor cross-section	AWG 16
Number of conductors	3
Number of pins	3/3
System	Molded/Molded

Electrical data

Cable rated voltage AC max.	600.0 V
Cable rated voltage DC max.	600.0 V
Rated current (40 °C)	12.0 A

Environmental conditions

Cable temperature, fixed routing	-40...105 °C
Protection type IEC 60529	IP68 /IP68

General data

Approval/Conformity	cULus LISTED
---------------------	--------------

Material

Material contact carrier	PUR
Material contacts	Brass/Brass
Material cover nut	Die-cast zinc/Die-cast zinc
Material grip	TPU/TPU

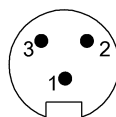
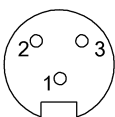
Mechanical data

Tightening torque pigtail	1.5 Nm/1.5 Nm
---------------------------	---------------

Remarks

Enclosure rating per IEC 60529, only in screwed state with the associated mating piece.
Bulk cable: PVC UL listing, 16/3 ST00W/MaleOOW CSA FT2 105°C 600 V

Connector view



BCC A323-A313-70-345-VX43W6-020
BCC09AZ

Wiring Diagram

