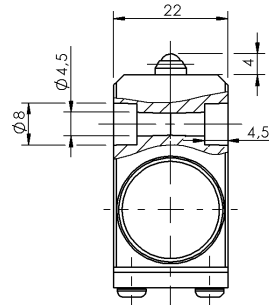
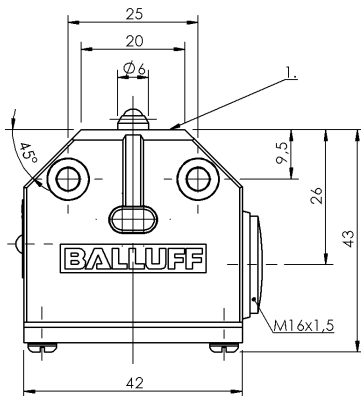


BNS 819-100-K-12
BNS0065



1) Reference edge



Display/Operation

Function indicator 1. Switch position: None

Electrical connection

Connection type 1. Switch position: Solder connection

Electrical data

Continuous current 1. Switch position: 0.1 A
Rated operating voltage U_e 1. Switch position: 250 VAC
Switching function mechanical Single-pin changeover
Switching rate 1. Switch position: 200/min

Environmental conditions

Ambient temperature -5...85 °C
Protection type IEC 60529 IP67

Functional safety

B10d BSE 73.1: 10 mil. switching cycles
Diagnostic coverage 0.0 %
Functional safety no
Mission Time 20 a

General data

Approval/Conformity CE
CCC
Basic standard IEC 60947-5-1

Operating principle
Version

1. Switch position: mechanical
Snap contact

Material

Housing material Aluminum
Material contacts 1. Switch position: Gold
Plunger material 1. Switch position: Stainless steel (1.4034)
Surface protection anodized

Mechanical data

Approach direction any
Approach speed 1. Switch position: 9 m/min
Dimension 42 x 22 x 43 mm
Distance cam - reference edge 1. Switch position: 2.30...2.80 mm
Flange, feed-through None
Installation any
Life expectancy mechanical 1. Switch position: 10 mil. switching operations
Number of switching positions 1x Ball
Plunger spacing 1st switch position 11 mm
Plunger style 1. Switch position: Ball
Switch actuation force 1. Switch position: 8 N
Switching element 1. Switch position: BSE 73.1

Range/Distance

Reproducibility 1. Switch position: ± 0.03 mm
Specification of the MTTF value and the B10d value do not represent any binding quality and/or life expectancy guarantees.

Note that the products listed here are not themselves safety components

BNS 819-100-K-12 BNS0065

according to the Machine Directive 2006/42/EG Article 2 c. It is however possible to create corresponding structures with a high Performance Level per EN

13849-1 by means of two-channel utilization.

Wiring Diagram

