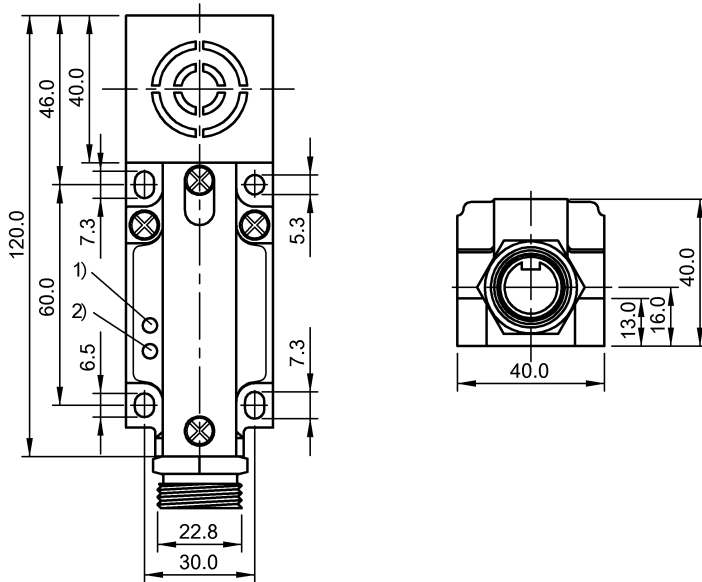
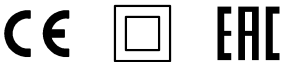


BES 517-134-M6-H-S5 BES020P



1) LED function indicator 2) LED operating voltage



Display/Operation

Function indicator	yes
Power indicator	yes

Electrical connection

Connection	7/8"-16 UN-Connector
Polarity reversal protected	yes
Short-circuit protection	yes

Electrical data

Hysteresis H max. (% of Sr)	20.0 %
Load capacitance max. at Ue	1 µF
No-load current I _o max., undamped	15 mA
Operating voltage U _b	10...55 VDC
Output resistance R _a	33.0 kOhm + D
Pollution degree	3
Protected against miswiring	yes
Rated insulation voltage U _i	250 V AC
Rated operating current I _e DC	200 mA
Rated operating voltage U _e DC	24 V
Rated short circuit current	100 A

Ready delay t _v max.	30 ms
Repeat accuracy max. (% of Sr)	5.0 %
Residual current I _r max.	80 µA
Switching frequency	50 Hz
Utilization category	DC -13
Voltage drop static max.	2.5 V

Environmental conditions

Ambient temperature	-25...70 °C
Protection class	II
Protection type IEC 60529	IP67

General data

Approval/Conformity	CE EAC
Basic standard	IEC 60947-5-2

Material

Housing material	PBT
Material sensing surface	PBT

BES 517-134-M6-H-S5 BES020P

Mechanical data

Dimension	132.5 x 40 x 40 mm
Installation	for flush mounting

Output/Interface

Switching output	NPN Normally open/Normally closed (NO/NC)
------------------	---

Range/Distance

Assured operating distance Sa	16 mm
-------------------------------	-------

Range	20 mm
Rated operating distance Sn	20 mm
Ripple max. (% of Ue)	15 %
Temperature drift max. (% of Sr)	10 %

Remarks

The sensor is functional again after the overload has been eliminated.
LED 1: Function
LED 2: Operating voltage

Connector view



Wiring Diagram

