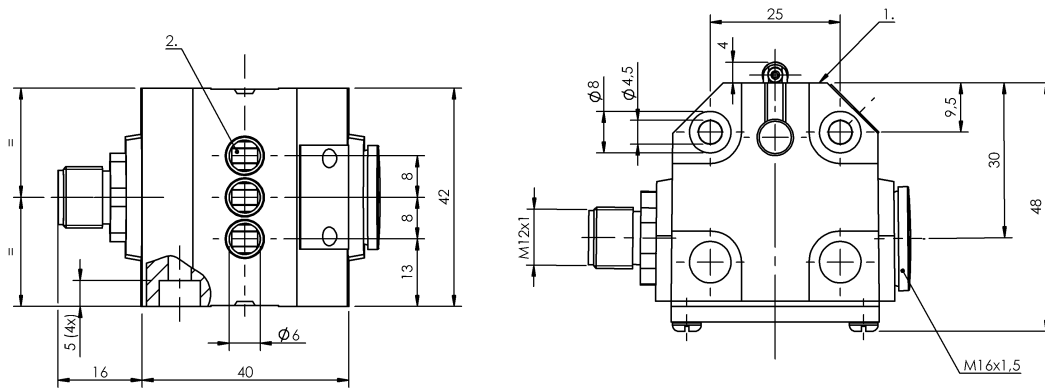


BNS 819-X699-B03-R08-40-13-S4R BNS034N



1) Reference edge 2) 1st pos.



Display/Operation

Function indicator 1-3. Switch position: None

Electrical connection

Connection type 1-3. Switch position: Screw terminal

Electrical data

Continuous current 1-3. Switch position: 0.1 A
 Rated operating voltage U_e 1-3. Switch position: 25 VAC/60 VDC
 Switching function mechanical Single-pin changeover
 Switching rate 1-3. Switch position: 200/min

Environmental conditions

Ambient temperature -5...85 °C
 Protection type IEC 60529 IP67

Functional safety

B10d BSE 74.1: 10 mil. switching cycles
 Diagnostic coverage 0.0 %
 Functional safety no
 Mission Time 20 a

General data

Additional features Special switch
 Special wiring
 without ground conductor connection
 Approval/Conformity CE
 CCC
 Basic standard IEC 60947-5-1
 Operating principle 1-3. Switch position: mechanical
 Version Snap contact

Material

Housing material Aluminum
 Material contacts 1-3. Switch position: Gold
 Plunger material 1-3. Switch position: Stainless steel (1.4034)
 Surface protection anodized

Mechanical data

Approach direction longitudinal, parallel to attachment surface
 Approach speed 1-3. Switch position: 60 m/min
 Distance cam - reference edge 1-3. Switch position: 2.30... 2.80 mm
 Flange, feed-through None
 Installation Vertical
 Life expectancy mechanical 1-3. Switch position: 10 mil. switching operations
 Number of switching positions 3x Role
 Plunger style 1-3. Switch position: Role
 Switch actuation force 1-3. Switch position: 8 N
 Switching element 1-3. Switch position: BSE 74.1

BNS 819-X699-B03-R08-40-13-S4R BNS034N

Range/Distance

Reproducibility 1-3. Switch position: ± 0.05 mm

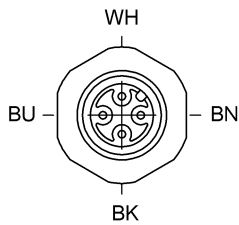
Remarks

Connection / pin assignments determined by customer. Does not correspond to a known technical standard.

Specification of the MTTF value and the B10d value do not represent any binding quality and/or life expectancy guarantees.

Note that the products listed here are not themselves safety components according to the Machine Directive 2006/42/EG Article 2 c. It is however possible to create corresponding structures with a high Performance Level per EN 13849-1 by means of two-channel utilization.

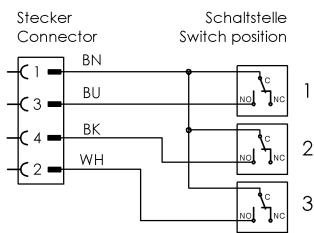
Connector view



View of connector side

BNS 819-X699-B03-R08-40-13-S4R
BNS034N

Wiring Diagram



ACHTUNG: Stecker ohne Schutzleiter!
Schutzklasse III (VDE 0160)

Attention: No groundwire!
Protection Class III (VDE 0160)