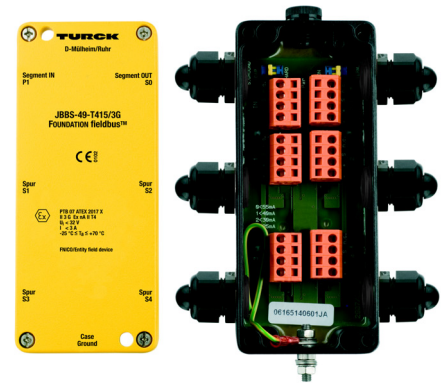
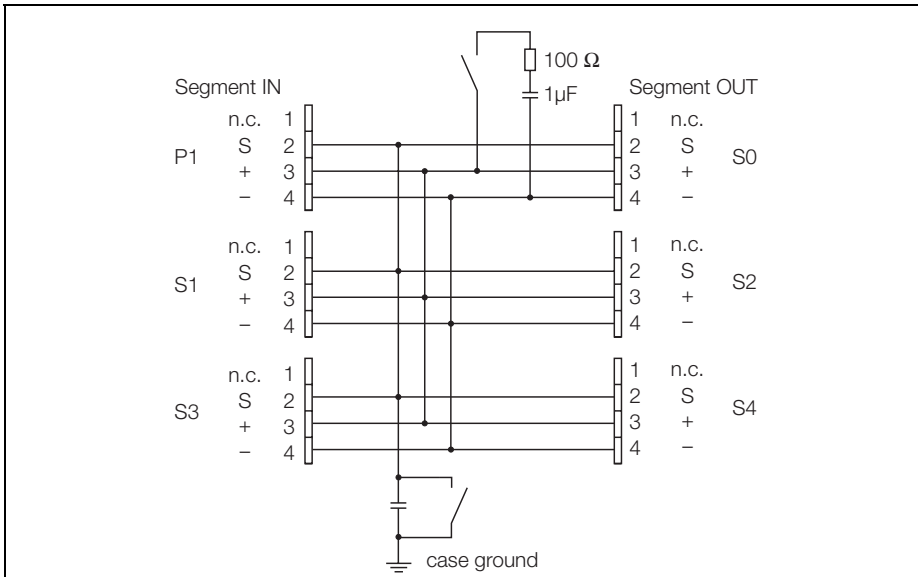


**FOUNDATION™ fieldbus
IP67 junction box, 4-channel
JBBS-49-T415/3G**



The 4-channel Ex-junction module JBBS-49-T415/3G is designed for FOUNDATION™ fieldbus systems.

The housing is made of robust die-cast aluminium and features protection degree IP67.

The junction box is equipped with a selectable bus terminating resistor. The according switch is integrated in the housing on the board.

To avoid condensation build-up in the hou-

sing, the devices are equipped with a condensate drain.

The shield is capacitively coupled to the housing potential. A switch for direct coupling of the shield and housing is implemented.

Attention: Sufficient equipotential bonding of the installation must be ensured. The device is connected via the bolt of the housing to the system's potentializer.

- Entity and FNICO compliant according to IEC TS 60079-27
- mounting possible in zone 2
- junction module for wall mounting with PVC cable glands M20 x 1.5
- powder-coated die-cast aluminium housing
- pressure compensation element for protection against condensation water
- connection of the housing potential via an M5 x 1 bolt
- For Ex applications: -25...+70 °C (-13...+158 °F); for non-Ex applications: -40...+70 °C (-40...+70.00 °C)
- integrated terminating resistor (switch-in)
- cable shielding: capacitive or direct connection to housing potential selectable via switch
- isolated support terminal for optional protective conductor incorporated in cable

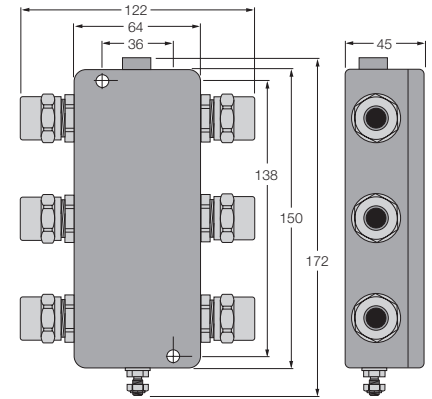
FOUNDATION™ fieldbus
IP67 junction box, 4-channel
JBBS-49-T415/3G

TURCK
works

Industrial
Automation

Type	JBBS-49-T415/3G
Ident-No.	6611444
Fieldbus standard	IEC 61158-2
Operational voltage range:	9 ... 32 VDC
Ex approval acc. to conformity certificate	PTB 07 ATEX 2017 X
FNICO parameter according to IEC TS 60079-27	
Device designation	Ⓜ II 3 G Ex nA II T4 Ⓜ II 3 G Ex nA [nL] IIC/IIB T4 FNICO / Entity field device
Electrical connection	cable glands
Segment IN	1 x M20 x 1.5 (Ø 6...12 mm)
Segment OUT	1 x M20 x 1.5 (Ø 6...12 mm)
Drop line	4 x M20 x 1.5 (Ø 6...12 mm)
Terminal cross-section	2.5 mm ²
Earthing bolt	M5 x 1
Degree of protection	IP67
Ambient temperature	-25 ... + 70 °C
Housing material	powder-coated die-cast aluminium
Housing colour	black/yellow
Dimensions	64 x 150 x 45 mm
Connection mode	wall mounting

Dimensions



Terminal Configuration

