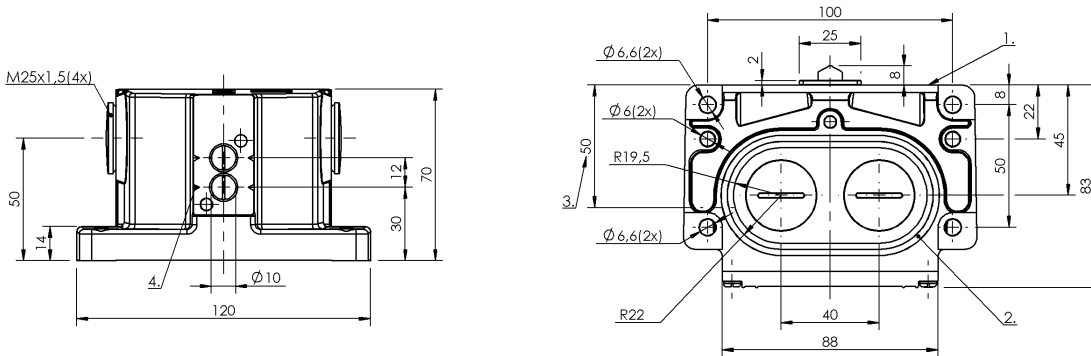


## BNS 813-D02-D12-100-12-02 BNS00PT



1) Reference edge 2) Sealing ring 3) Cable passage 4) Mark. Safety switch position



### Display/Operation

Function indicator 1-2. Switch position: None

### Electrical connection

Connection type 1-2. Switch position: Screw terminal

### Electrical data

Continuous current 1-2. Switch position: 6 A  
 Rated operating voltage  $U_e$  1-2. Switch position: 250 VAC  
 Switching function mechanical NC forced-opening per VDE Double-interrupting  
 Switching rate 1-2. Switch position: 300/min

### Environmental conditions

Ambient temperature -5...85 °C  
 Protection type IEC 60529 IP67

### Functional safety

B10d BSE 61: 30 mil. switching cycles  
 Diagnostic coverage 0.0 %  
 Functional safety no  
 Mission Time 20 a

### General data

Approval/Conformity CE  
 CCC  
 Basic standard IEC 60947-5-1

Internet www.balluff.com  
 Balluff Germany +49 (0) 7158 173-0, 173-370  
 Balluff USA 1-800-543-8390  
 Balluff China +86 (0) 21-50 644131

DIN switch

Operating principle

Version

DIN 43697

1-2. Switch position: mechanical

Safety EN 60204-1

### Material

Housing material Aluminum  
 Material contacts 1-2. Switch position: Fine silver  
 Plunger material 1-2. Switch position: Stainless steel (1.4034)  
 Surface protection anodized

### Mechanical data

Approach direction longitudinal, parallel to attachment surface  
 Approach speed 1-2. Switch position: 40 m/min  
 Dimension 120 x 70 x 83 mm  
 Distance cam - reference edge 1-2. Switch position: 4.50... 5.00 mm  
 Flange, feed-through 2 threaded exit M25  
 Installation Vertical  
 Life expectancy mechanical 1-2. Switch position: 30 mil. switching operations  
 Number of switching positions 2x Chisel  
 Plunger spacing 1st switch position 30 mm  
 Plunger style 1-2. Switch position: Chisel  
 Switch actuation force 1-2. Switch position: 15 N  
 Switching element 1-2. Switch position: BSE 61

### Range/Distance

Reproducibility 1-2. Switch position: ±0.002 mm  
 Switch position spacing 12 mm

For definitions of terms, see main catalog  
 Subject to change without notice

eCI@ss 9.1: 27-27-06-02  
 ETIM 6.0: EC001829  
 BNS00PT\_09-03-17\_21:52

1(2)

## BNS 813-D02-D12-100-12-02 BNS00PT

Specification of the MTTF value and the B10d value do not represent any binding quality and/or life expectancy guarantees.

Note that the products listed here are not themselves safety components

according to the Machine Directive 2006/42/EG Article 2 c. It is however possible to create corresponding structures with a high Performance Level per EN 13849-1 by means of two-channel utilization.

### Wiring Diagram

BSE 61

