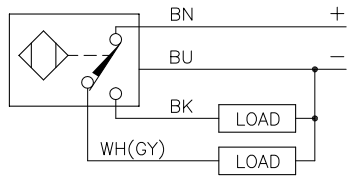


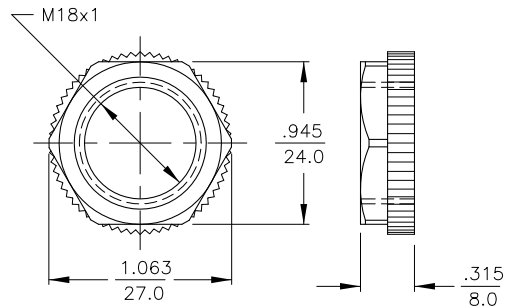
WIRING DIAGRAM



OUTPUT: VP4X

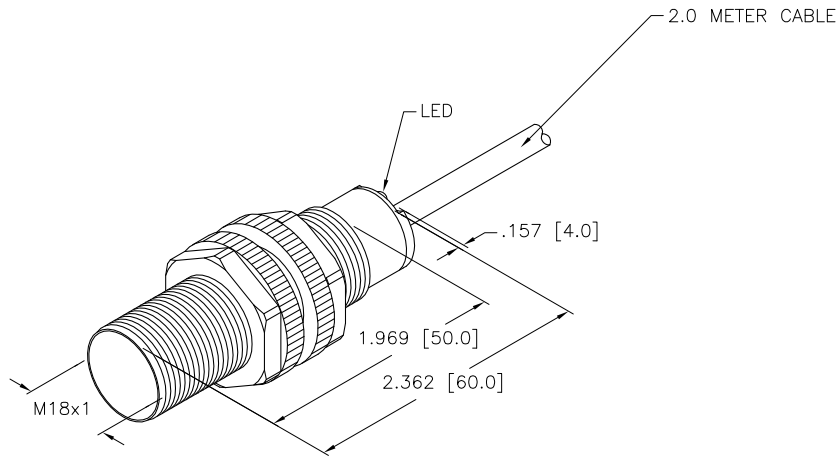
SHORT-CIRCUIT AND OVERLOAD PROTECTED

LOCKNUT LN-P18



SPECIFICATIONS

RATED OPERATING DISTANCE	5 mm = .197" (NOMINAL)
MOUNTING MODE	FLUSH
HYSTERESIS	3-15%
REPEATABILITY	≤ 2%
TEMPERATURE DRIFT	≤ ±10% ≤ ±20%, ≥ +70°C
OPERATING TEMPERATURE	-25°C to +70°C (-13°F to +158°F)
RATED OPERATING VOLTAGE	10-65 VDC
RESIDUAL RIPPLE	≤ 10%
RATED OPERATIONAL CURRENT	≤ 200 mA
NO-LOAD CURRENT	≤ 15 mA
RESIDUAL CURRENT	≤ 0.1 mA
MAX. SWITCHING FREQUENCY	≤ 0.5 kHz
RATED INSULATION VOLTAGE	≤ 0.5 kV
OUTPUT FUNCTION	4-WIRE, TWO-WAY CONTACT, PNP
SHORT-CIRCUIT PROTECTION	INCORPORATED
MAX. VOLTAGE DROP	≤ 1.8 V
REVERSE POLARITY PROTECTION	INCORPORATED
WIRE-BREAK PROTECTION	INCORPORATED
HOUSING MATERIAL	PLASTIC, PA12-GF30
ACTIVE FACE MATERIAL	PLASTIC, PA12-GF30
END CAP MATERIAL	PLASTIC, EPTR
CABLE	ø5.2, PVC
VIBRATION RESISTANCE	55 Hz, 1 mm AMPLITUDE (N ALL 3 PLANES)
SHOCK RESISTANCE	30 x g (11 ms)
DEGREE OF PROTECTION	IP67
SWITCHING STATUS INDICATION	LED, YELLOW



SOURCE DRAWING - FOR REFERENCE ONLY

RELATED DOCUMENTS 1. 2. 3. 4.	3RD ANGLE PROJECTION 	THIS DRAWING IS PROPERTY OF TURCK INC. USE OF THIS DOCUMENT WITHOUT WRITTEN PERMISSION IS PROHIBITED.		3000 CAMPUS DRIVE MINNEAPOLIS, MN 55441 1-800-544-7769 (763) 553-7300 (763) 553-0708 fax turck.com	
	MATERIAL SEE SPECS	DRFT GMB	DATE 11/6/89	DESCRIPTION BI 5-S18-VP4X	
FINISH	ALL DIMENSIONS DISPLAYED ON THIS DRAWING ARE FOR REFERENCE ONLY	DSGN	SCALE 1=1.3	IDENTIFICATION NO. T1513400	
CONTACT TURCK FOR MORE INFORMATION		UNIT OF MEASUREMENT INCH [MILLIMETER]		REV B	
B UPDATE TO CURRENT TITLE BLOCK	RDS 12/16/02	5504	DO NOT SCALE THIS DRAWING		FILE: T1513400
REV DESCRIPTION	BY	DATE	ECO NO.	SHEET 1 OF 1	

B	UPDATE TO CURRENT TITLE BLOCK	RDS	12/16/02	5504
REV	DESCRIPTION	BY	DATE	ECO NO.