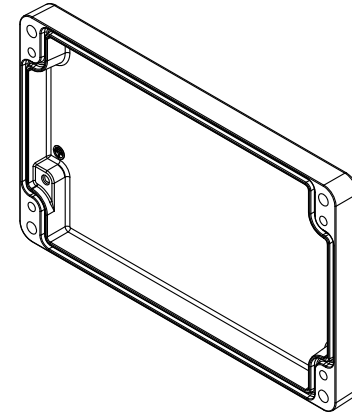
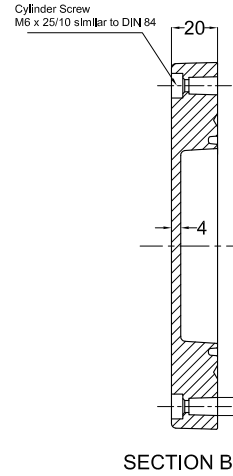
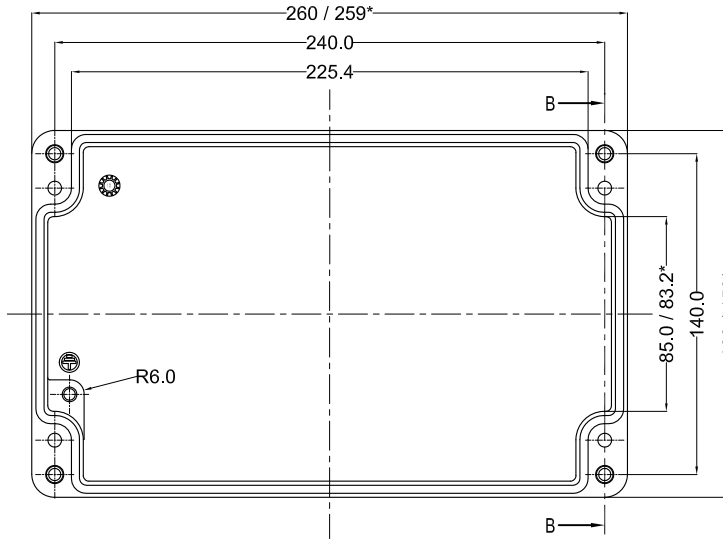
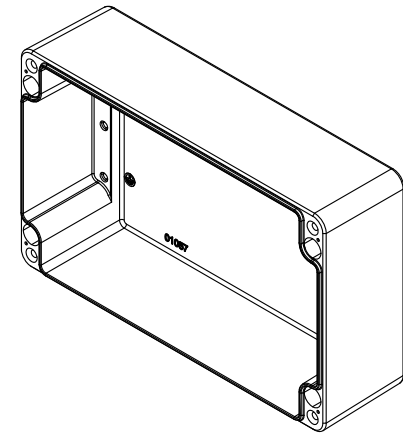
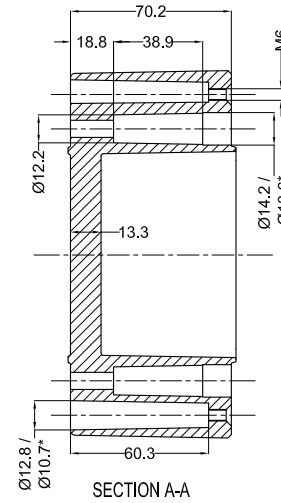
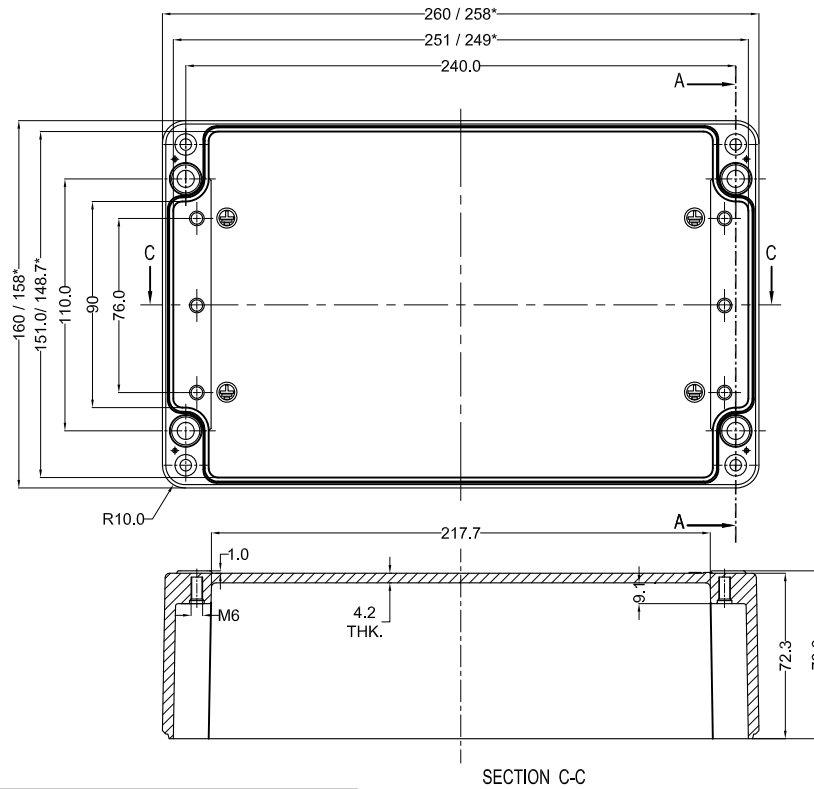


* = Conical form tapering downward.
 Untoleranced dimensions per GTA 13/5 DIN 1688

LID



BASE



QUANTITY 1	MATERIAL :- AISI12 DIN230	MACH.NAME -	DATE 08-06-12	SIGN	NAME RRPL DESIGN
			08-06-12		MANOJ DRAWN
		TITLE :- JUNCTION BOX 260 x 160 x 90	08-06-12		PAVAN CHECKED
					S.D. APPROVED
			SCALE	PARTNO.	0
			REV		DRG. NO.
			0		AJB-26016090
TOLERANCE	WEIGHT: -	FINISH: NATURAL	ALL DIMENSION ARE IN MM		
±0.2	DIMENSIONS				
±0.2	HOLES				
±1.0°	ANGLES				