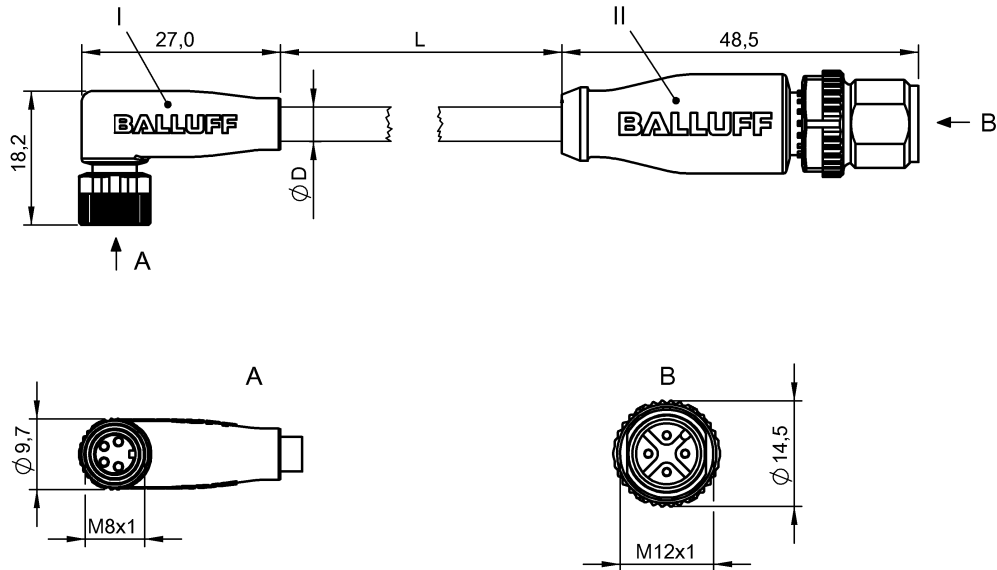


BCC M324-M414-3E-606-EX44T2-010
BCC05CA



4MT5
(CJV CABLE ASSEMBLY)

Display/Operation

Function indicator (Pin 4)	LED yellow
Power indicator	LED green/no

Electrical connection

Bending radius min., fixed cable	5 x D
Bending radius min., flexible cable	10 x D
Cable	TPE yellow, 1.00 m, Drag chain compatible
Cable diameter D	5.30 mm ±0.13 mm
Cable, bending cycles min.	10 million
Conductor cross-section	AWG 22
Number of conductors	4
Number of pins	4/4
System	Molded/Molded

Electrical data

Cable rated voltage AC max.	300.0 V
Cable rated voltage DC max.	300.0 V
Operating voltage U_b	10...30 VDC
Rated current (40 °C)	4.0 A

Environmental conditions

Cable temperature, fixed routing	-50...105 °C
----------------------------------	--------------

Cable temperature, flexible routing	-25...105 °C
Protection type IEC 60529	IP67 /IP68

General data

Approval/Conformity	cULus LISTED
---------------------	--------------

Material

Material contact carrier	PUR/PUR
Material contacts	Bronze/Brass
Material cover nut	Die-cast zinc/Die-cast zinc
Material grip	TPU/TPU

Mechanical data

Tightening torque pigtail	0.4 Nm/0.6 Nm
---------------------------	---------------

Output/Interface

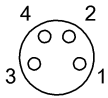
Switching output	PNP Normally open/Normally closed (NO/NC)
------------------	---

Remarks

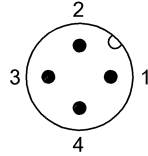
Enclosure rating per IEC 60529, only in screwed state with the associated mating piece.
Cable construction acc. to UL-AWM Style 2037

BCC M324-M414-3E-606-EX44T2-010
BCC05CA

Connector view

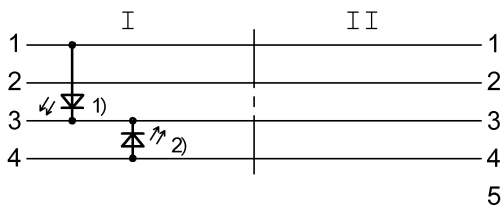


I



II

Wiring Diagram



1) Green LED = Power 2) Yellow LED = Function