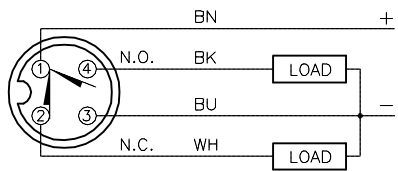


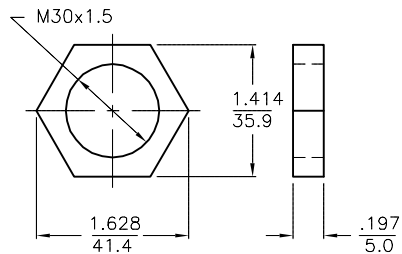
WIRING DIAGRAM



OUTPUT: VP45XLD

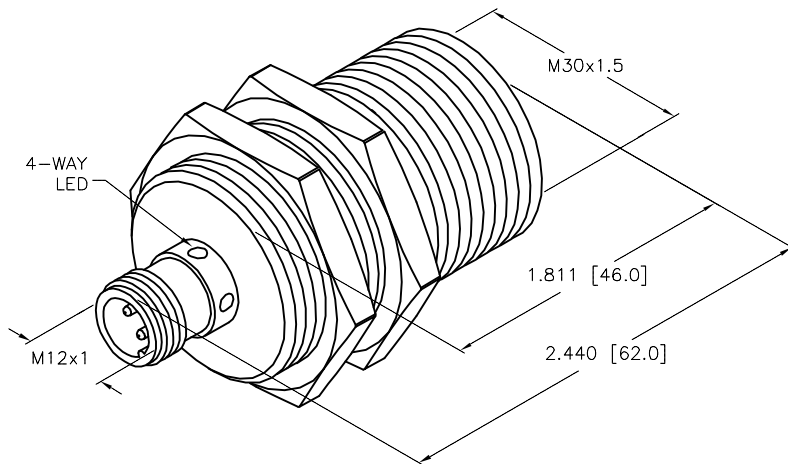
SHORT-CIRCUIT AND OVERLOAD PROTECTED

LOCKNUT LN-EM30



SPECIFICATIONS

RATED OPERATING DISTANCE	15.0 mm [.591"]
MOUNTING MODE	FLUSH
TEMPERATURE DRIFT	≤ ±10% ≤ ±15%, ≤ -25°C V ≥ +70°C
HYSTERESIS	3-15%
MIN. REPEAT ACCURACY	≤ 2%
AMBIENT TEMPERATURE	-40°C to +85°C (-40°F to +185°F)
OPERATING VOLTAGE	8.4-65 VDC
RESIDUAL RIPPLE	≤ 10%
DC OPERATIONAL CURRENT	≤ 200 mA
NO-LOAD CURRENT	≤ 15 mA
RESIDUAL CURRENT	≤ 0.1 mA
RATED INSULATION VOLTAGE	≤ 0.5 kV
OUTPUT FUNCTION	4-WIRE, CHANGEOVER, PNP
SHORT-CIRCUIT PROTECTION	YES
MAX. VOLTAGE DROP	≤ 1.8 V
WIRE BREAKAGE PROTECTION	INCORPORATED
REVERSE POLARITY PROTECTION	INCORPORATED
LOAD DUMP PROTECTION	IV/LEVEL 4
SWITCHING FREQUENCY	≤ 0.5 kHz
HOUSING MATERIAL	AISI 316L
ACTIVE FACE MATERIAL	PLASTIC, PA12-GF30
CONNECTION	M12x1
VIBRATION RESISTANCE	55 Hz (IN ALL 3 PLANES)
SHOCK RESISTANCE	150 g, 6 ms, (IN ALL 3 PLANES)
DEGREE OF PROTECTION	IP68/IP69K
SWITCHING STATUS INDICATION	LED/YELLOW



PART NUMBER LASER MARKED ON FACE

SOURCE DRAWING - FOR REFERENCE ONLY

RELATED DOCUMENTS 1. 2. 3. 4.	3RD ANGLE PROJECTION 	THIS DRAWING IS CONFIDENTIAL AND THE PROPERTY OF TURCK INC. USE OF THIS DOCUMENT WITHOUT WRITTEN PERMISSION IS PROHIBITED.		TURCK INC High Technology Sensors and Automation Controls 3000 CAMPUS DRIVE MINNEAPOLIS, MN 55441 1-800-544-7769 (763) 553-7300 (763) 553-0708 fax turck.com	
	MATERIAL SEE SPECIFICATIONS	DRFT RDS APVD A.F.	DATE 11/13/12 SCALE 1=1.0	DESCRIPTION BI15-EM30-VP45XLD-H1141	
FINISH SEE SPECIFICATIONS	ALL DIMENSIONS DISPLAYED ON THIS DRAWING ARE FOR REFERENCE ONLY	UNIT OF MEASUREMENT INCH [MILLIMETER]		IDENTIFICATION NO. T1584026	REV B
CONTACT TURCK FOR MORE INFORMATION		DO NOT SCALE THIS DRAWING		FILE: T1584026	SHEET 1 OF 1

B	ADD LASER MARK NOTE	NF	07/30/15	50830
REV	DESCRIPTION	BY	DATE	ECO NO.