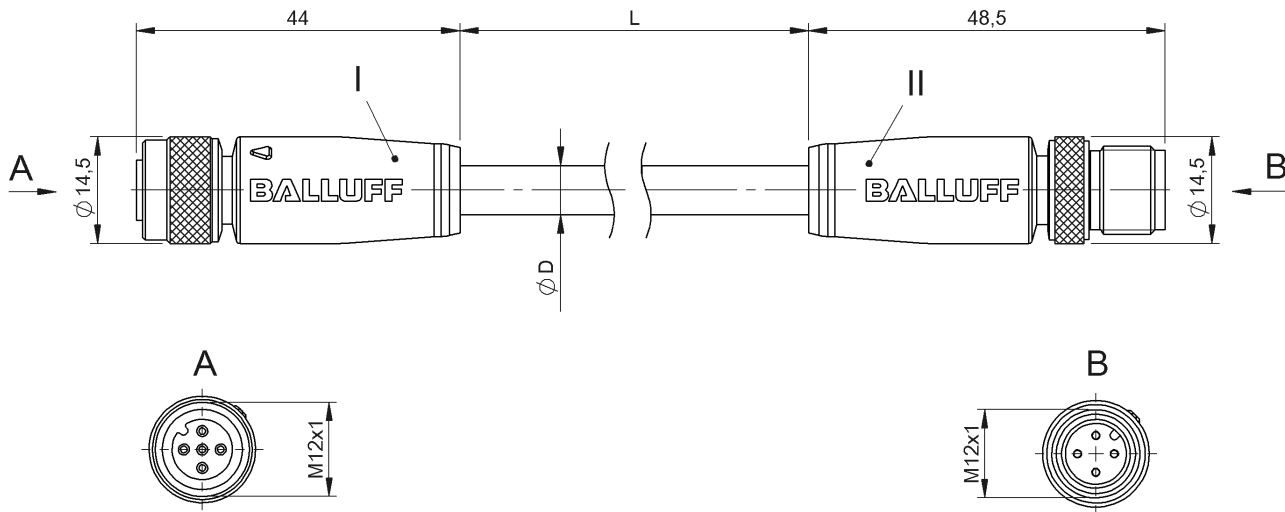


BCC M415-M414-3A-305-PS0434-500 BCC0F09



4MT5
(CJ/JV CABLE ASSEMBLY)

Electrical connection

Bending radius min., fixed cable	5 x D
Bending radius min., flexible cable	10 x D
Cable	PUR Shielded black, 50.00 m, Drag chain compatible
Cable diameter D	4.70 mm ±0.15 mm
Cable, bending cycles min.	2 million
Conductor cross-section	0.34 mm ²
Number of conductors	4
Number of pins	5/4
System	Molded/Molded

Electrical data

Horizontal travel permitted, drag chain	5 m
Rated current (40 °C)	4.0 A
Vertical travel permitted, drag chain	2 m

Environmental conditions

Cable temperatur, drag chain	-25...60 °C
Cable temperature, fixed routing	-50...80 °C
Cable temperature, flexible routing	-25...80 °C

Protection type IEC 60529

IP68 /IP68

General data

Approval/Conformity	cULus LISTED
---------------------	--------------

Material

Cable shield	Copper braid, tin-plated
Material contact carrier	PUR/PUR
Material contacts	Bronze/Brass
Material cover nut	Die-cast zinc/Die-cast zinc
Material grip	PUR/PUR

Mechanical data

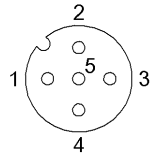
Acceleration max., drag chain	5 m/s ²
Tightening torque pigtail	0.6 Nm/0.6 Nm
Traverse speed max., drag chain	200 m/min

Remarks

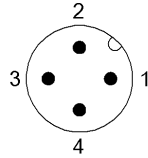
360° shield on knurled nut

BCC M415-M414-3A-305-PS0434-500
BCC0F09

Connector view

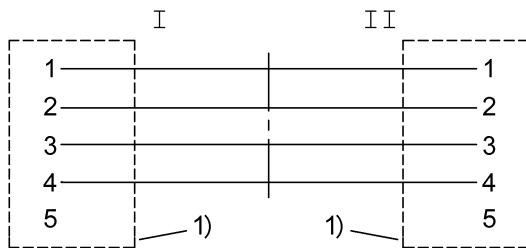


I PIN 1: brown PIN 2: white PIN 3: blue PIN 4:
black PIN 5: n.c.



II PIN 1: brown PIN 2: white PIN 3: blue PIN 4:
black

Wiring Diagram



1) Shield on knurl