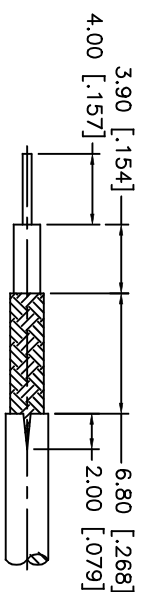
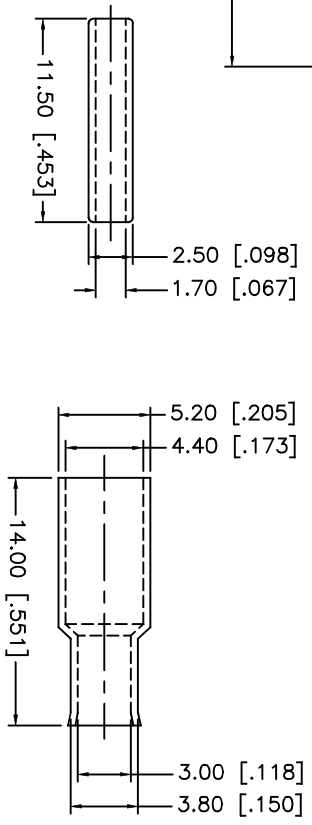
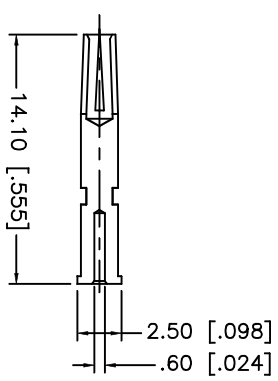
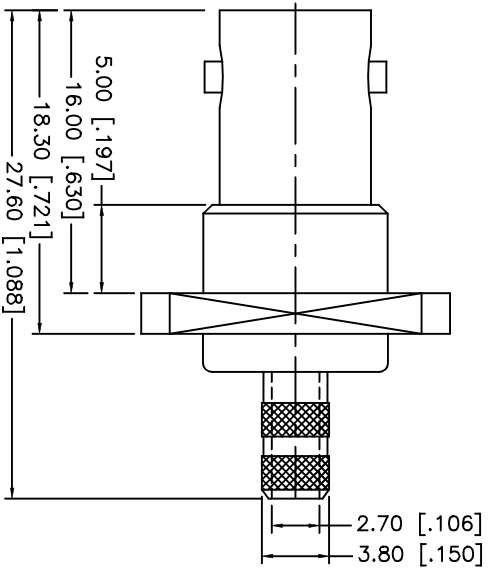
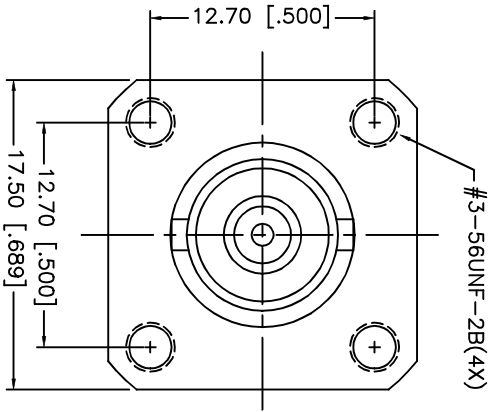


REV.	DATE	DESCRIPTION
NC	07/29/02	INITIAL RELEASE



RECOMMENDED
CABLE STRIPPING DIM'S



8																			
7																			
6	FERRULE	COPPER	NICKEL																
5	SLEEVE	DELRIN	NATURAL																
4	CONTACT PIN	PHOS. BRONZE	GOLD																
3	BARREL	BRASS	NICKEL																
2	INSULATOR	TEFLON	NATURAL																
1	BODY/HOUSING	BRASS	NICKEL																
	DESCRIPTION	MATERIAL	FINISH																
				UNLESS OTHERWISE SPECIFIED DIMENSIONS ARE IN MILLIMETERS				APPROVALS		DATE		TITLE							
				DIMENSIONS IN [] ARE IN INCHES FOR CUSTOMER REFERENCE ONLY				DRAWN G.R.S.		07/29/02		BNC PANEL JACK - W/ #3-56 TAPPED HOLES (FOR RG-174/U, 188A/U, 316/U CABLE)							
				UNLESS OTHERWISE SPECIFIED TOLERANCES FOR INCHES ARE: .XXX = ± 0.005" .XX = ± 0.010" X = ± 0.020"				CHECKED				SIZE A		FSOM NO. 99001		DWG. NO. 112288-11		REV. NC	
				DO NOT SCALE DRAWING				ISSUED				SCALE NA		PART NO. 112288-11		SHEET 1 OF 1			
												Amphenol - Connex CONNECTOR CORPORATION							