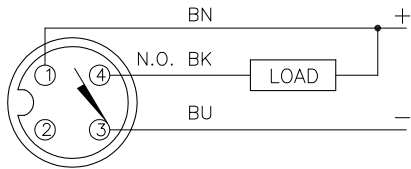
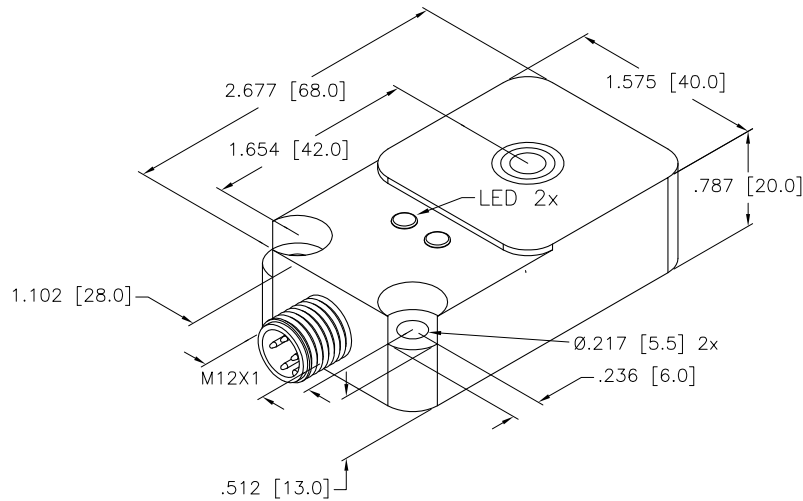


WIRING DIAGRAM



OUTPUT: AN45XLD

SHORT-CIRCUIT AND OVERLOAD PROTECTED



SPECIFICATIONS

RATED OPERATING DISTANCE	20.0 mm [.787"]
MOUNTING MODE	FLUSH
TEMPERATURE DRIFT	≤ ±10% ≤ ±15%, ≤ -25°C V ≥ +70°C
HYSTERESIS	3-15%
MIN. REPEAT ACCURACY	≤ 2%
AMBIENT TEMPERATURE	-40°C to +85°C (-40°F to +185°F)
OPERATING VOLTAGE	8.4-65 VDC
RESIDUAL RIPPLE	≤ 10%
DC OPERATIONAL CURRENT	≤ 200 mA
NO-LOAD CURRENT	≤ 15 mA
RESIDUAL CURRENT	≤ 0.1 mA
RATED INSULATION VOLTAGE	≤ 0.5 kV
OUTPUT FUNCTION	3-WIRE, NORMALLY OPEN, NPN
SHORT-CIRCUIT PROTECTION	YES
MAX. VOLTAGE DROP	≤ 1.8 V
WIRE BREAKAGE PROTECTION	INCORPORATED
REVERSE POLARITY PROTECTION	INCORPORATED
LOAD DUMP PROTECTION	SEVERITY DEGREE IV/LEVEL 4
SWITCHING FREQUENCY	≤ 0.5 kHz
HOUSING MATERIAL	PLASTIC, PBT-GF30-V0
ACTIVE FACE MATERIAL	PLASTIC, PBT-GF30-V0
CONNECTION	M12x1
VIBRATION RESISTANCE	55 Hz (IN ALL 3 PLANES)
SHOCK RESISTANCE	30 g, 11 ms, (IN ALL 3 PLANES)
DEGREE OF PROTECTION	IP68/IP69K
OPERATING VOLTAGE DISPLAY	LED, GREEN
SWITCHING STATUS INDICATION	LED, YELLOW

SOURCE DRAWING - FOR REFERENCE ONLY

RELATED DOCUMENTS		3RD ANGLE PROJECTION		THIS DRAWING IS PROPERTY OF TURCK INC. USE OF THIS DOCUMENT WITHOUT WRITTEN PERMISSION IS PROHIBITED.		 High Technology Sensors and Automation Controls		3000 CAMPUS DRIVE MINNEAPOLIS, MN 55441 1-800-544-7769 (763) 553-7300 (763) 553-0708 fax turck.com	
1. 2. 3. 4.				DRFT RDS		DATE 04/28/09		DESCRIPTION	
MATERIAL		SEE SPECIFICATIONS		DSGN		SCALE 1=1.3		BI20-Q20-AN45X2LD-H1141	
FINISH		ALL DIMENSIONS DISPLAYED ON THIS DRAWING ARE FOR REFERENCE ONLY		UNIT OF MEASUREMENT		IDENTIFICATION NO.		REV	
		CONTACT TURCK FOR MORE INFORMATION		INCH [MILLIMETER]		M1584042		A	
A DRAWING RELEASE		RDS 04/28/09		DO NOT SCALE THIS DRAWING		FILE: M1584042		SHEET 1 OF 1	
REV DESCRIPTION		BY DATE ECO NO.							