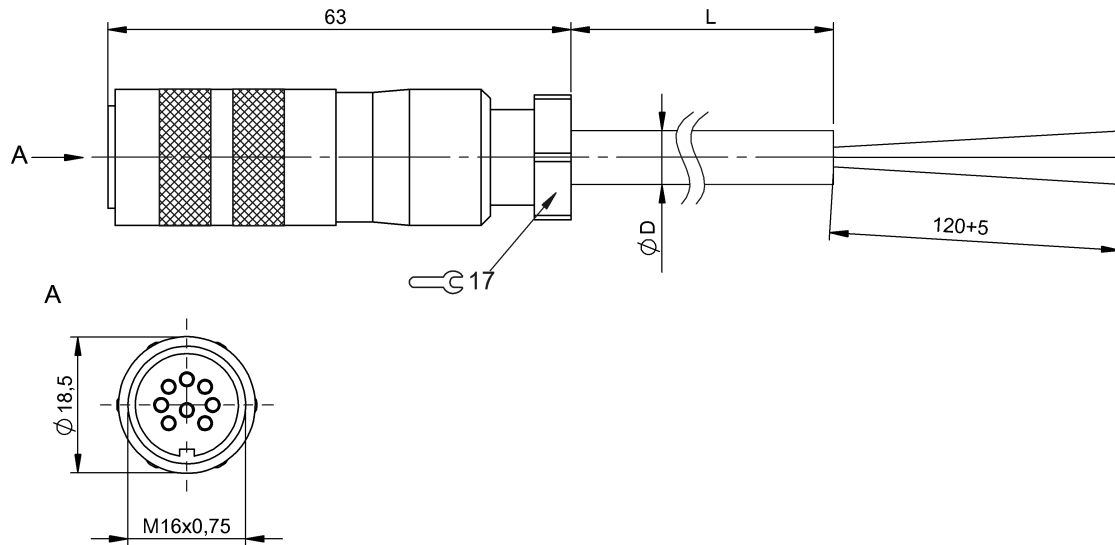


BKS-S 32M-35 BCC00U7



Electrical connection

Bending radius min., fixed cable	5 x D
Bending radius min., flexible cable	10 x D
Cable	PUR Shielded black, 35.00 m, Drag chain compatible
Cable diameter D	6.00 mm ±0.15 mm
Cable, bending cycles min.	2 million
Conductor cross-section	0.25 mm ²
Number of conductors	8
Number of pins	8
System	assembled

Electrical data

Conductor construction	4x2 twisted-pair
Horizontal travel permitted, drag chain	5 m
Rated current (40 °C)	5.0 A
Vertical travel permitted, drag chain	2 m

Environmental conditions

Cable temperature, drag chain	-25...60 °C
Cable temperature, fixed routing	-50...80 °C

Cable temperature, flexible routing	-25...80 °C
Protection type IEC 60529	IP67

Material

Material contact carrier	PBT
Material contacts	Bronze
Material cover nut	Brass
Material grip	Die-cast zinc

Mechanical data

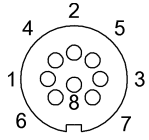
Acceleration max., drag chain	5 m/s ²
Tightening torque pigtail	0.6 Nm
Traverse speed max., drag chain	200 m/min

Remarks

Enclosure rating per IEC 60529, only in screwed state with the associated mating piece.
Cable construction acc. to UL-AWM Style 20549
Halogen-free per DIN VDE 0472 Part 815
Silicone-free
Flame resistance per UL FT2

BKS-S 32M-35
BCC00U7

Connector view



PIN 1: yellow PIN 2: gray PIN 3: pink PIN 4:
red PIN 5: green PIN 6: blue PIN 7: brown PIN 8:
white

Wiring Diagram

