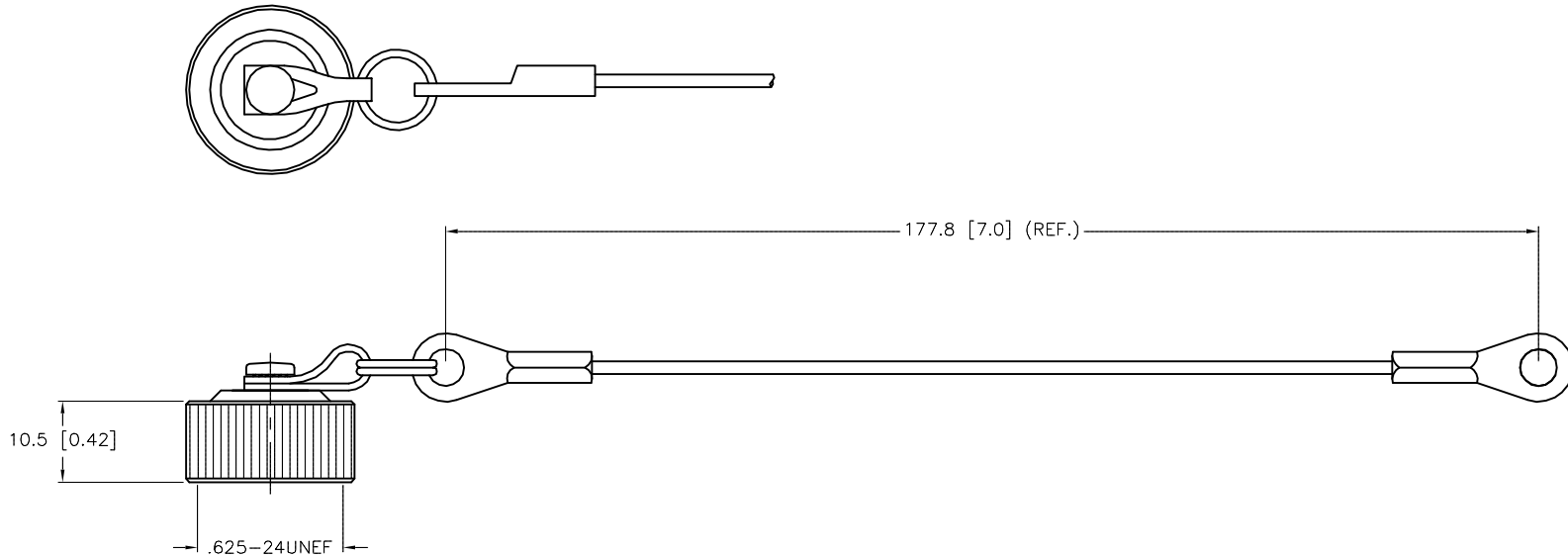


SPECIFICATIONS	
CAP MATERIAL/FINISH	ALUMINUM ALLOY/OLIVE DRAB PLATING
CABLE AND EYELET MATERIAL	SST



SOURCE DRAWING - FOR REFERENCE ONLY

NOTES:
1. ALL DIMENSIONS ARE REFERENCE.

RELATED DOCUMENTS 1. 2. 3. 4.	3RD ANGLE PROJECTION 	THIS DRAWING IS CONFIDENTIAL AND THE PROPERTY OF TURCK INC. USE OF THIS DOCUMENT WITHOUT WRITTEN PERMISSION IS PROHIBITED.		TURCK INC <i>High Technology Sensors and Automation Controls</i> 3000 CAMPUS DRIVE MINNEAPOLIS, MN 55441 1-800-544-7769 (763) 553-7300 (763) 553-0708 fax turck.com	
	MATERIAL SEE SPECIFICATIONS	DRFT RDS APVD J.B.	DATE 01/16/14 SCALE 1=1.0	DESCRIPTION MS 3100-10-CC	
FINISH SEE SPECIFICATIONS	ALL DIMENSIONS DISPLAYED ON THIS DRAWING ARE FOR REFERENCE ONLY CONTACT TURCK FOR MORE INFORMATION	UNIT OF MEASUREMENT MILLIMETER [INCH]		IDENTIFICATION NO. U-59638	REV B
DO NOT SCALE THIS DRAWING		FILE: U-59638		SHEET 1 OF 1	

B	UPDATE DESCRIPTION	RDS	12/01/14	48076
REV	DESCRIPTION	BY	DATE	ECO NO.