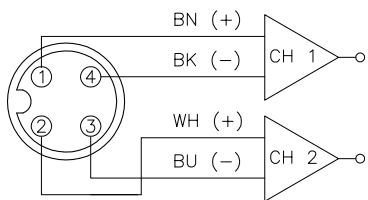


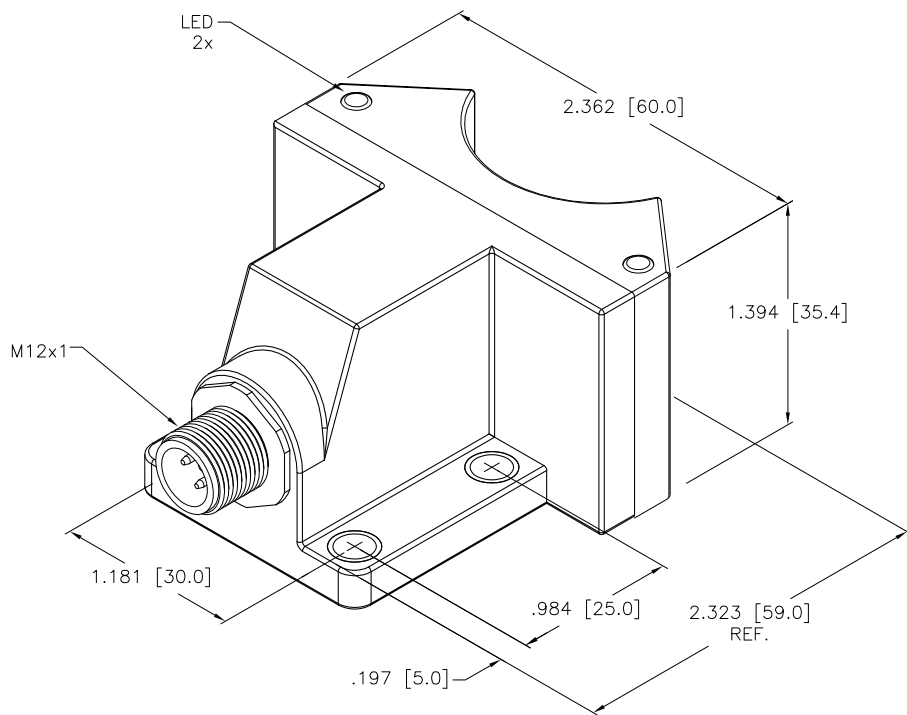
WIRING DIAGRAM



SHORT-CIRCUIT AND OVERLOAD PROTECTED

SPECIFICATIONS

RATED OPERATING DISTANCE S <sub>n</sub>	4.0 mm
MOUNTING MODE	NON-FLUSH
HYSTERESIS	1-10%
MAX. RELATIVE TEMPERATURE DRIFT	≤ 10%
MIN. REPEAT ACCURACY	≤ 2%
OPERATION TEMPERATURE	-25° TO 70°C (-13° TO 158°F)
NOMINAL VOLTAGE	8.2 VDC
OUTPUT ACTIVATED	≤ 1.0 mA
OUTPUT NON-ACTIVATED	≥ 2.2 mA
SHORT-CIRCUIT PROTECTION	YES
DEGREE OF PROTECTION	IP 67, CLASS 2
VIBRATION RESISTANCE	55 Hz (1mm)
SHOCK RESISTANCE	30 x g (11 ms)
SWITCHING STATUS INDICATION	2 LED's
SUPPLY VOLTAGE	5-30 VDC



SOURCE DRAWING - FOR REFERENCE ONLY

RELATED DOCUMENTS 1. 2. 3. 4.	3RD ANGLE PROJECTION 	THIS DRAWING IS PROPERTY OF TURCK INC. USE OF THIS DOCUMENT WITHOUT WRITTEN PERMISSION IS PROHIBITED.		3000 CAMPUS DRIVE MINNEAPOLIS, MN 55441 1-800-544-7769 (763) 553-7300 (763) 553-0708 fax turck.com	
	MATERIAL SENSOR HOUSING PLASTIC; PP-GF30 CONNECTOR: CuZn	ALL DIMENSIONS DISPLAYED ON THIS DRAWING ARE FOR REFERENCE ONLY	DRFT RDS DSGN	DATE 11/29/01 SCALE 1=1.0	DESCRIPTION NI 4-DSU35-2Y1X2-H1140
FINISH	CONTACT TURCK FOR MORE INFORMATION	UNIT OF MEASUREMENT <b>INCH [ MILLIMETER ]</b>		IDENTIFICATION NO. M1051003	REV A
DO NOT SCALE THIS DRAWING		FILE: M1051003		SHEET 1 OF 1	

A	DRAWING RELEASE	RDS	12/17/01	
REV	DESCRIPTION	BY	DATE	ECO NO.