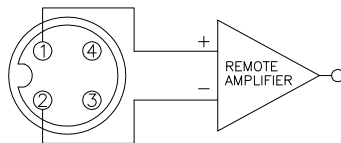
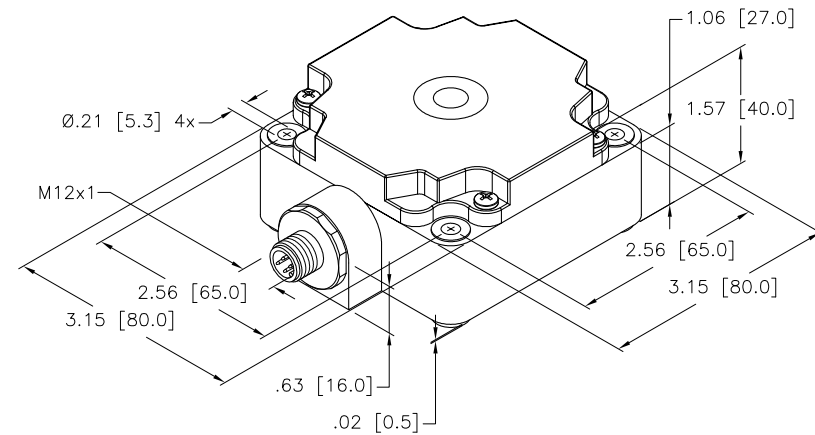


OPERATING VOLTAGE 2-WIRE DC, 5-30 VDC
 OUTPUT FUNCTION..... VARIABLE RESISTANCE (NAMUR, EN 50227)
 EMBEDDABLE NO
 REQUIRES REMOTE AMPLIFICATION..... YES
 RATED OPERATING DISTANCE..... 50 mm
 APPROVAL OR CERTIFICATION..... FM DIVISION 1 / CSA DIVISION 1, CE
 SWITCHING FREQUENCY..... 100 Hz
 DIFFERENTIAL TRAVEL <HYSTERESIS>..... 1-10% (5% TYPICAL)
 NOMINAL VOLTAGE..... 8.2 VDC (EN 50227)
 RESISTANCE CHANGE FROM NONACTIVE TO ACTIVE STATE..... 1.0 kΩ to >8.0 kΩ
 RESULTING CURRENT CHANGE..... ≥2.2 mA to ≤1.0 mA
 RECOMMENDED SWITCHING POINT FOR REMOTE AMPLIFIER..... 1.55 mA
 TIME DELAY BEFORE AVAILABILITY..... ≤8 ms
 POWER-ON EFFECT..... REALIZED IN AMPLIFIER
 REVERSE-POLARITY PROTECTION..... INCORPORATED
 WIRE-BREAK PROTECTION..... REALIZED IN AMPLIFIER
 TRANSIENT PROTECTION..... REALIZED IN AMPLIFIER
 OPERATING TEMPERATURE..... -25°C TO +70°C (-13°F TO + 158°F)
 SHOCK..... 30 g, 11 ms
 VIBRATION..... 55 Hz, 1 mm AMPLITUDE (ALL 3 PLANES)
 REPEATABILITY..... ≤2% OF RATED OPERATING DISTANCE
 NUMBER OF LEDS..... 0
 ENCLOSURE..... MEETS NEMA 1,3,4,6,13, AND IEC IP 67
 CONNECTION..... 4-PIN eurofast CONNECTOR
 CONNECTOR MATERIAL..... CHROME-PLATED BRASS
 HOUSING MATERIAL..... PBT-GF30-V0 PLASTIC
 TERMINAL CHAMBER COVER MATERIAL..... TROGAMID T



SOURCE DRAWING - FOR REFERENCE ONLY

NOTE: ALL DIMENSIONAL TOLERANCES ±1.0 mm.

RELATED DOCUMENTS		3RD ANGLE PROJECTION		THIS DRAWING IS PROPERTY OF TURCK INC. USE OF THIS DOCUMENT WITHOUT WRITTEN PERMISSION IS PROHIBITED.		TURCK INC High Technology Sensors and Automation Controls 3000 CAMPUS DRIVE MINNEAPOLIS, MN 55441 1-800-544-7769 (763) 553-7300 (763) 553-0708 fax turck.com	
1. 2. 3. 4.				DRFT CBM	DATE 09/13/00	DESCRIPTION NI50-CP80-Y1-H1141	
MATERIAL		ALL DIMENSIONS DISPLAYED ON THIS DRAWING ARE FOR REFERENCE ONLY		DSGN	SCALE NONE	IDENTIFICATION NO. M1040195	
FINISH		CONTACT TURCK FOR MORE INFORMATION		UNIT OF MEASUREMENT INCH [MILLIMETER]		REV C	
C UPDATE DESCRIPTION		RDS	06/15/09	26740	DO NOT SCALE THIS DRAWING		FILE: M1040195
REV	DESCRIPTION	BY	DATE	ECO NO.	SHEET 1 OF 1		