

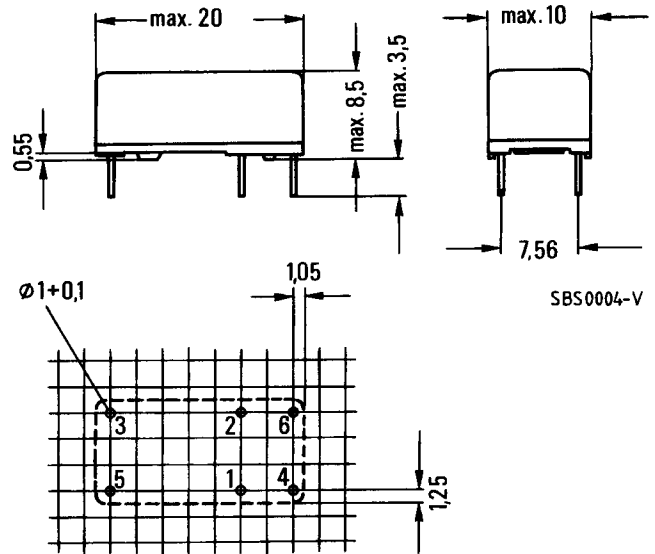
Small Relays D1

- V23040-A** ★★★ monostable, 1 winding
- B** ★★★ bistable, 2 windings
- C** ★★★ bistable, 1 winding

For dc operation, polarized
 1 changeover contact, bifurcated
 Immersion cleanable
 Printed circuit terminals
 Pin arrangement for 2,5 mm and
 2,54 mm grid in acc. with DIN EN 60097
 and DIN 40803

UL, CSA

Approx. weight 6 g



SBS0004-V

Contact ratings:

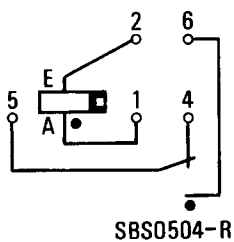
Max. switching voltage	150 Vdc/125 Vac
Max. switching current	2 A
Max. continuous current	2 A
Max. power rating	35 ... 60 W (voltage-dependent) 60 VA

Mounting hole layout
 View from the wiring side

Contact material: palladium nickel, gold-plated, rhodium-coated

Base terminals

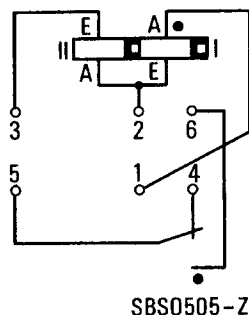
Monostable and bistable (1 winding)



SBS0504-R

Circuit symbols drawn in OFF position.
 If a positive potential is applied to the start of
 the winding, the relay assumes the ON position.

Bistable (2 windings)



SBS0505-Z

Circuit symbols drawn in OFF position.
 If a negative potential is applied to terminal 1 or a positive
 potential to terminal 3 as against terminal 2, the relay
 assumes the OFF position.
 If a positive potential is applied to terminal 1 or a negative
 potential to terminal 3 in relation to terminal 2, the relay
 assumes the ON position.

Small Relays D1

Rated voltage	Voltage range at 20 °C	Coil resistance at 20 °C ± 10 % Ω	Ordering code	DU	Price each				
				Pcs	DU	100	500	2000	
Vdc	Vdc								
1 winding, monostable									
5	3,75 ... 16,5	320 ²⁾	V23040-A1-B201	25					
12	9 ... 30	1140	V23040-A2-B201	25					
15	11,25 ... 38	1850	V23040-A3-B201	25					
24	18 ... 60	4370	V23040-A4-B201	25					
2 windings, (I and II, with identical technical data), bistable									
5	3,75 ... 16	315	V23040-B101-B201	25					
12	9 ... 30	1110	V23040-B102-B201	25					
15	11,25 ... 37	1760	V23040-B103-B201	25					
24 ¹⁾	18 ... 46	2800	V23040-B104-B201	25					
1 winding, bistable									
5	3,75 ... 20	500	V23040-C51-B201	25					
12	9 ... 38	1850	V23040-C52-B201	25					

1) Continuous energizing at rated voltage only permissible up to an ambient temperature of 60 °C.

2) ± 10 %