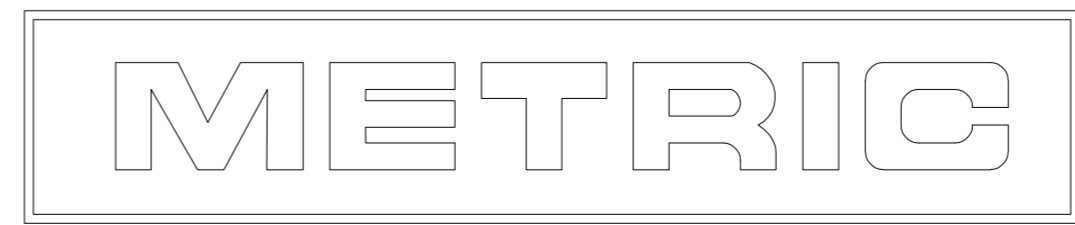
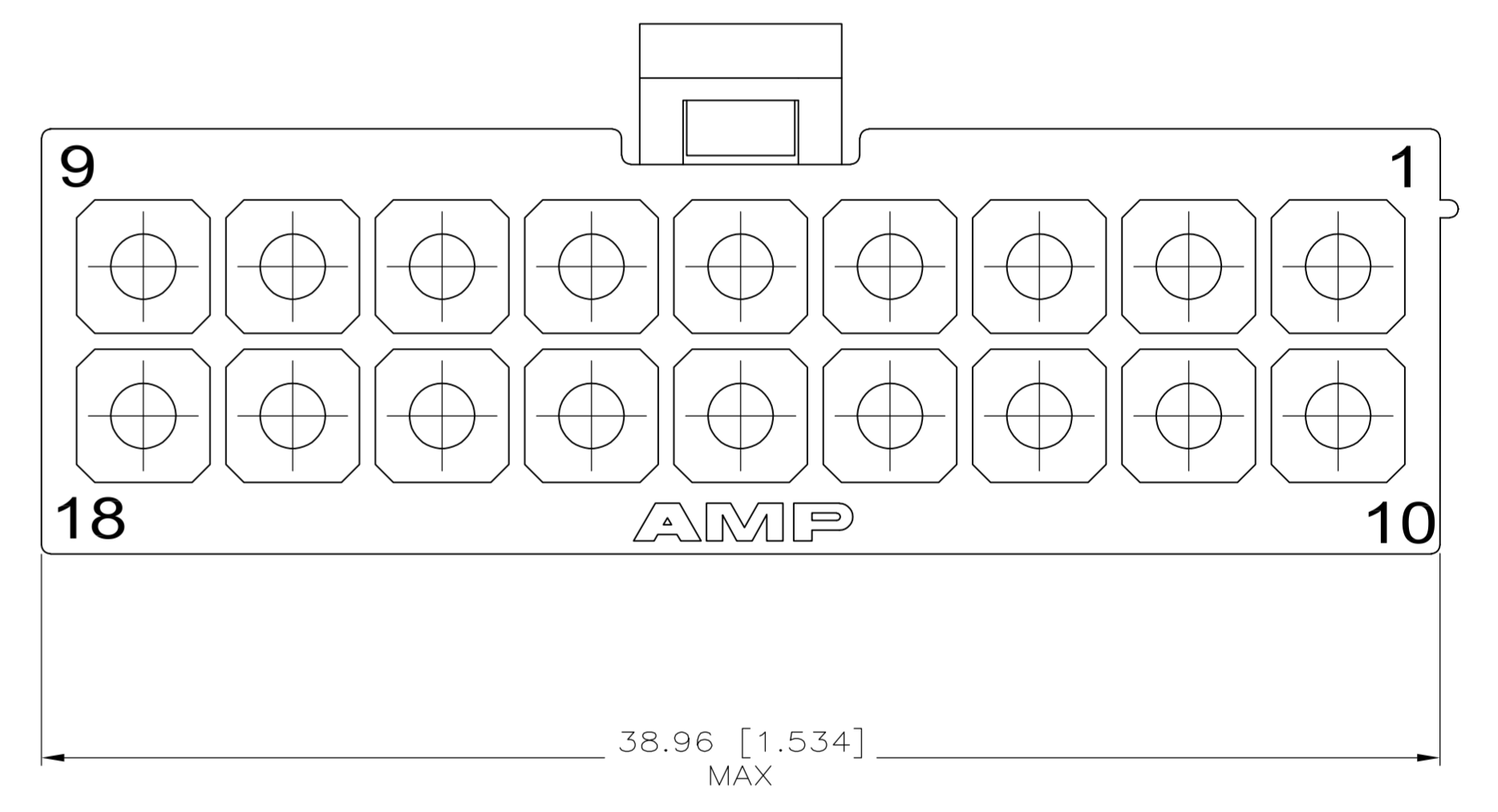
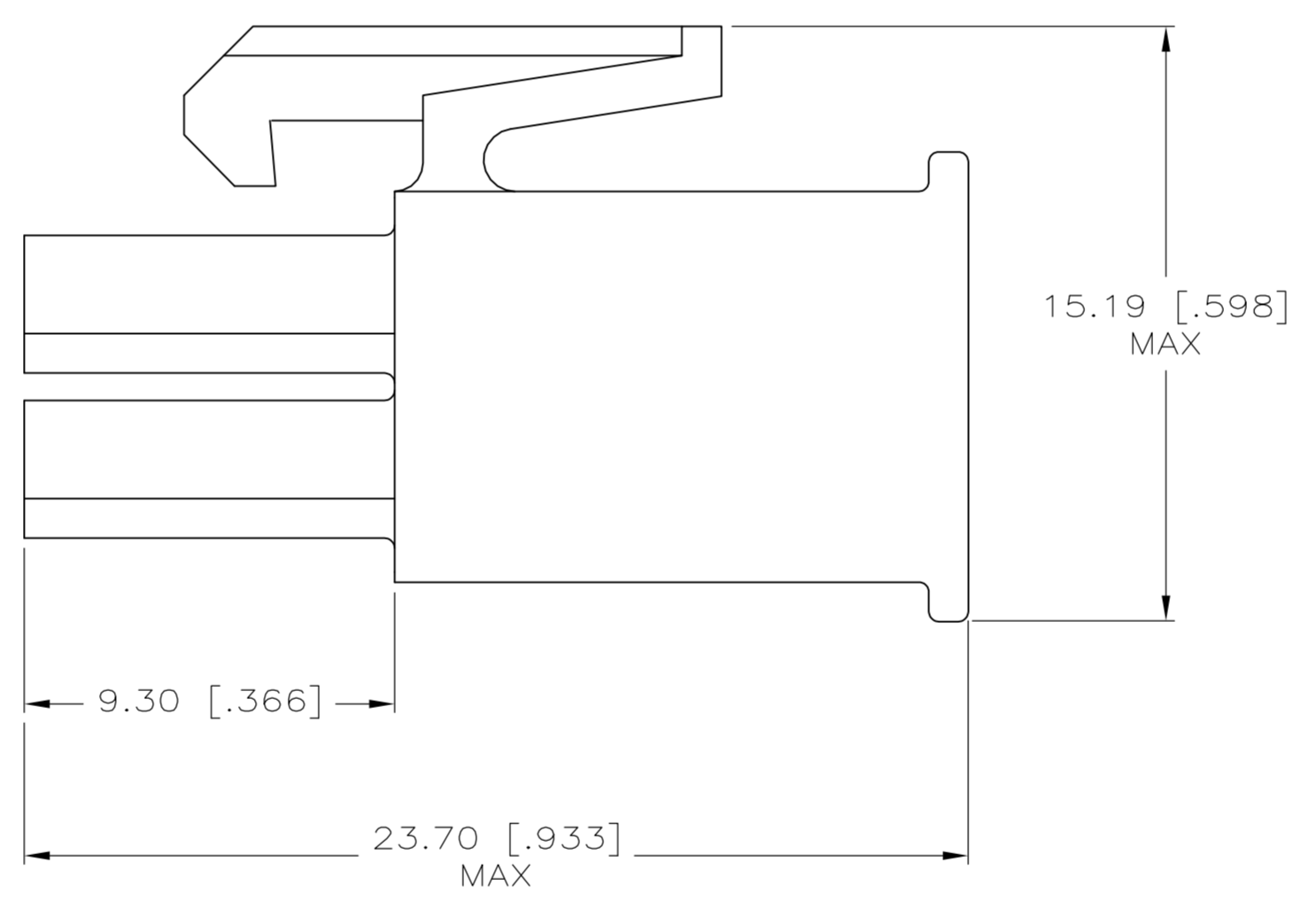
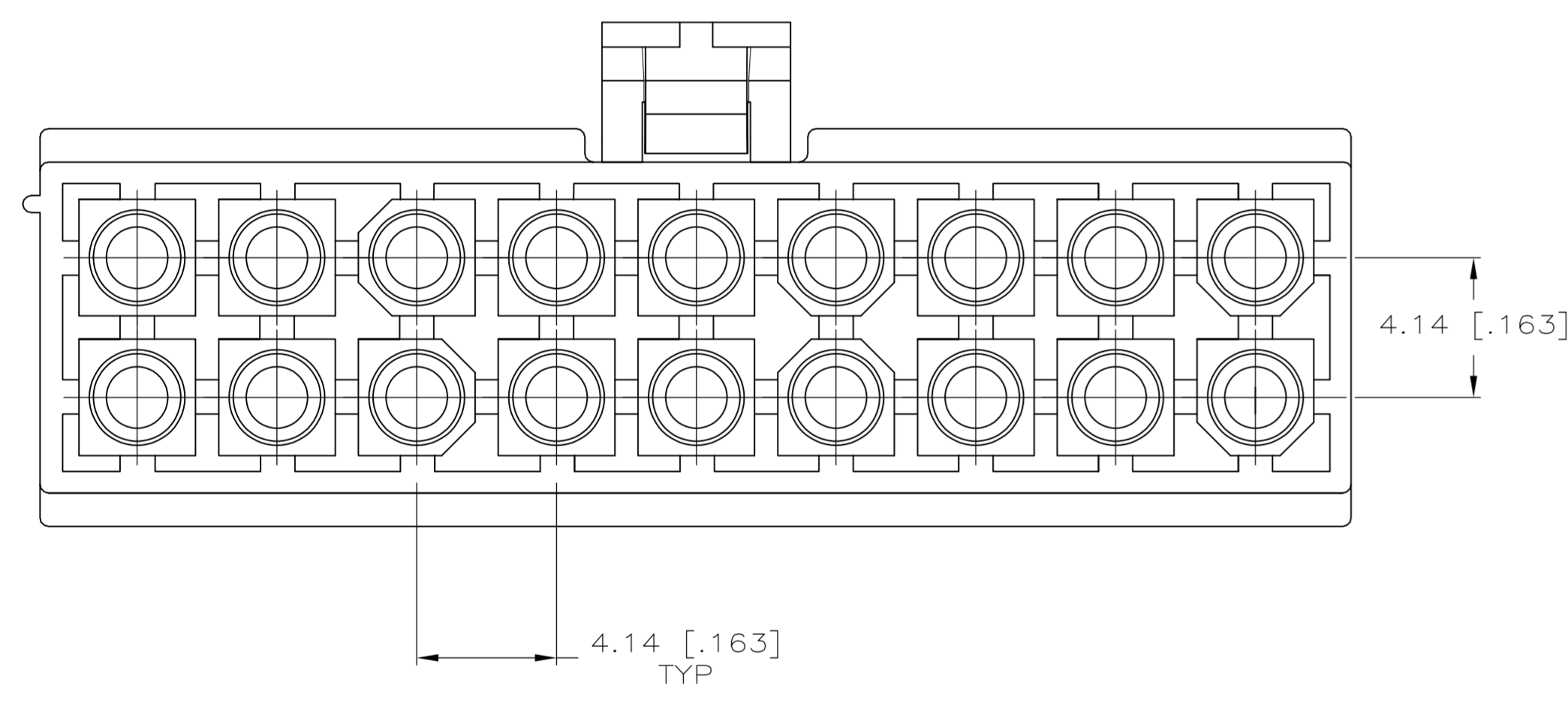


1. INDIVIDUAL CORING FEATURES AROUND BASES OF SILOS MAY NOT BE PRESENT IN ALL LOCATIONS SHOWN.



770584-1
PART NUMBER

THIS DRAWING IS A CONTROLLED DOCUMENT.		DWN S. HOOVER 12-MAY-2004	TE Connectivity NAME PLUG, 18 CIRCUIT, MINI UNIVERSAL MATE-N-LOK™ PRODUCT SPEC
DIMENSIONS: mm [INCHES]		CHK C. JONES 12-MAY-2004	
TOLERANCES UNLESS OTHERWISE SPECIFIED:		APVD C. JONES 12-MAY-2004	APPLICATION SPEC
0 PLG ± 1 PLG ± 2 PLG ± 3 PLG ± 0.13 [.005] 4 PLG ± ANGLES ± -		SIZE A1	RESTRICTED TO
MATERIAL NYLON, UL 94V-0 WHITE		WEIGHT	SCALE 6:1 SHEET 1 OF 1 REV G
CUSTOMER DRAWING		SIZE A1	00779 C=770584