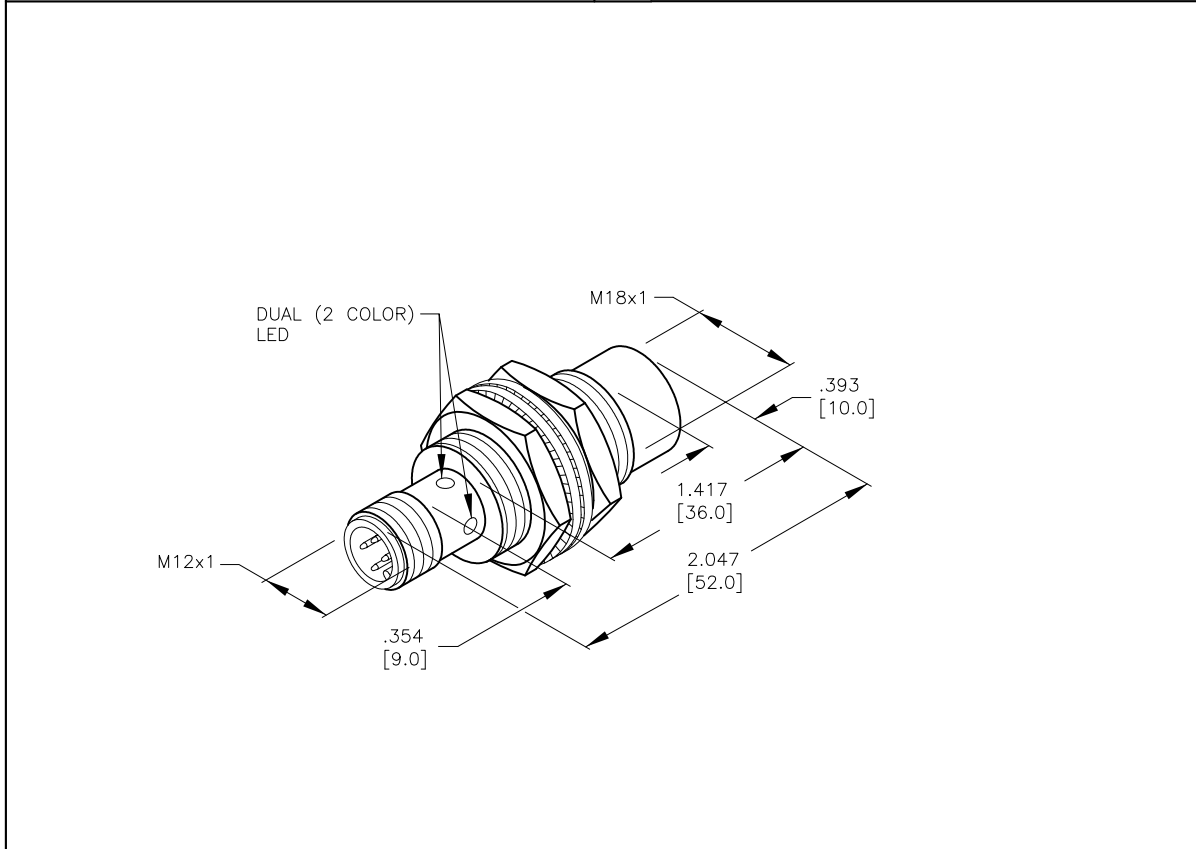


SPECIFICATIONS	
OPERATING VOLTAGE	10-30 VDC
RIPPLE	≤ 10%
DIFFERENTIAL TRAVEL (HYSTERESIS)	3-15% (5% TYPICAL)
VOLTAGE DROP ACROSS CONDUCTING SENSOR	≤ 1.8 V at 200 mA
OUTPUT FUNCTION	NORMALLY OPEN 3-WIRE DC SELF-CONTAINED
TTL COMPATIBLE	NO
SHORT-CIRCUIT PROTECTED	YES
TRIGGER CURRENT FOR OVERLOAD PROTECTION	≥ 220 mA
CONTINUOUS LOAD CURRENT	≤ 200 mA
OFF-STATE (LEAKAGE) CURRENT	< 10μ A
NO-LOAD CURRENT	≤ 15mA
TIME DELAY BEFORE AVAILABILITY	≤ 8 ms
POWER-ON EFFECT PROTECTION	INCORPORATED
REVERSE POLARITY PROTECTION	INCORPORATED
WIRE-BREAK PROTECTION	INCORPORATED
PROTECTION AGAINST TRANSIENTS	EN 60947-5-2
OPERATING TEMPERATURE	-25°C to +70°C (-13°F to +158°F) -30°C to +85°C (-22°F to +185°F) W/15% TEMP. DRIFT
ENCLOSURE	MEETS NEMA 1, 3, 4, 6, 13 AND IEC IP67
SHOCK	30 g, 11 ms
VIBRATION	55 Hz, 1 mm AMPLITUDE (IN ALL 3 PLANES)
LED FUNCTION	GREEN = POWER ON GREEN (FLASH) = SHORT CIRCUIT YELLOW = OUTPUT ENERGIZED
RATED OPERATING DISTANCE(Sn)	12 mm = .472" (NOMINAL)
SWITCHING FREQUENCY	2000 Hz
REPEATABILITY	≤ 2% of RATED OPERATING DISTANCE
EMBEDDABLE (SHIELDED)	NO



- NOTES:
- UPROX HAS WELD FIELD IMMUNITY, SENSOR IS SUITABLE FOR USE ON RESISTANCE MACHINES.
  - MATERIALS:  
PTFE COATED BRASS BARREL.  
CHROME PLATED BRASS CONNECTOR.  
PTFE COATED BRASS LOCKNUTS.  
BLACK CHROMATED STEEL LOCKWASHERS.  
PTFE COATED PA 12-GF30 PLASTIC SENSING FACE.

RELATED DOCUMENTS 1. 2. 3. 4.	3RD ANGLE PROJECTION 	THIS DRAWING IS CONFIDENTIAL AND THE PROPERTY OF TURCK INC. USE OF THIS DOCUMENT WITHOUT WRITTEN PERMISSION IS PROHIBITED.		<b>TURCK INC</b> High Technology Sensors and Automation Controls 3000 CAMPUS DRIVE MINNEAPOLIS, MN 55441 1-800-544-7769 (763) 553-7300 (763) 553-0708 fax turck.com	
		MATERIAL SEE NOTE 2	DRFT JBU	DATE 5/29/98	DESCRIPTION Ni12U-MT18-AP6X2-H1141
FINISH	ALL DIMENSIONS DISPLAYED ON THIS DRAWING ARE FOR REFERENCE ONLY	DSGN	SCALE NONE	UNIT OF MEASUREMENT <b>INCH [ MILLIMETER ]</b>	
C REMOVE TRADEMARKED MATERIAL REFERENCES	CBM 11/16/12	40471	CONTACT TURCK FOR MORE INFORMATION		IDENTIFICATION NO. M1645245
REV DESCRIPTION	BY	DATE	ECO NO.	DO NOT SCALE THIS DRAWING	REV C
				FILE: M1645245	SHEET 1 OF 1