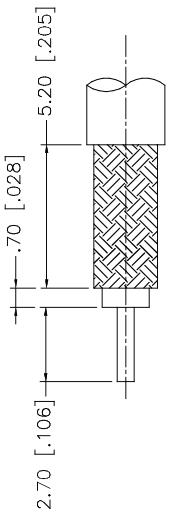
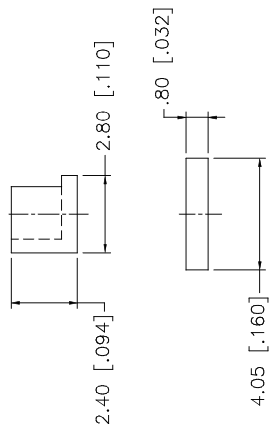
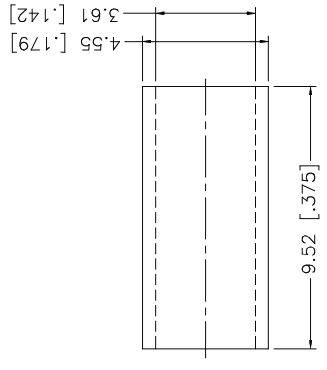
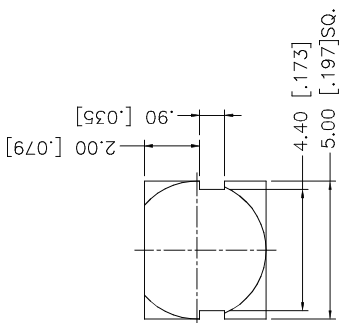
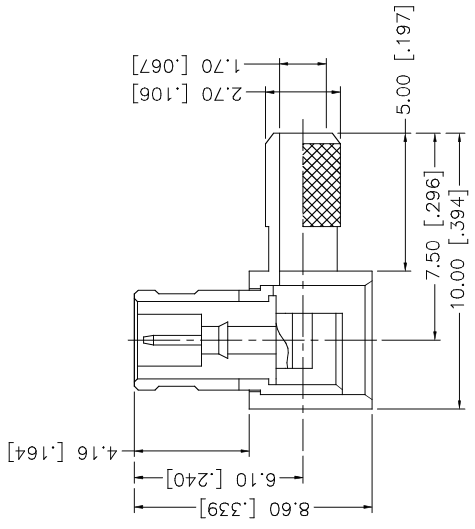


REV.	DATE	DESCRIPTION
A	04/31/03	UPDATE DRAWING FORMAT
B	03/01/04	MODIFY DESCRIPTION - RG-179/U



RECOMMENDED
CABLE STRIPPING DIM'S



NOTE:

1. CRIMPED FERRULE
HEX CRIMP SIZE .151"
2. CONTACT PIN TO SOLDER

REV.	DATE	DESCRIPTION
A	04/31/03	UPDATE DRAWING FORMAT
B	03/01/04	MODIFY DESCRIPTION - RG-179/U

APPROVALS	DATE
DRAWN G.R.S.	03/01/04
CHECKED	
ISSUED	
SHEET 1 OF 1	
CAD FILE C:/252/252119-75.DWG	

REV.	SIZE	SCALE
REV. B	A	NA
DWG. NO. 252119-75.DWG		
PART NO. 252119-75		

DESCRIPTION	MATERIAL	FINISH	QTY
8 FERRULE	COPPER	GOLD	1
7 COVER	BRASS	GOLD	1
6 INSULATOR	DELIRIN	NATURAL	1
5 CONTACT PIN	BRASS	GOLD	1
4 INSULATOR	TEFLON	NATURAL	1
3 BODY	BRASS	GOLD	1
2 DESCRIPTION	MATERIAL	FINISH	QTY

UNLESS OTHERWISE SPECIFIED DIMENSIONS ARE IN MILLIMETERS. DIMENSIONS IN [] ARE IN INCHES AND FOR CUSTOMER REFERENCE ONLY.
UNLESS OTHERWISE SPECIFIED TOLERANCES FOR MILLIMETERS ARE: 0.5 - 8mm ± 0.20mm 8 - 30mm ± 0.40mm 30 - 120mm ± 0.50mm
UNLESS OTHERWISE SPECIFIED TOLERANCES FOR INCHES ARE: .020 - .315 = ± 0.007" .315 - 1.180 = ± 0.015" 1.180 - 4.724 = ± 0.020"
DO NOT SCALE DRAWING

Amphenol Connex

MCX R/A CRIMP PLUG
(FOR RG-179/U DOUBLE BRAID)