

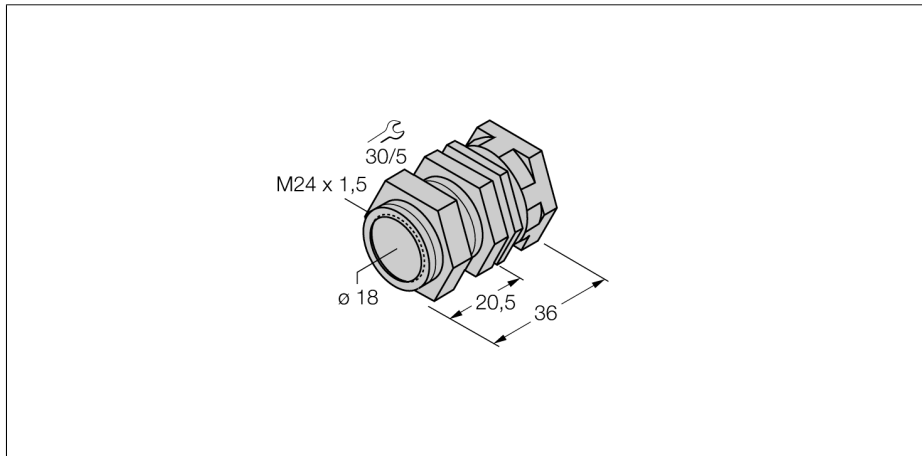
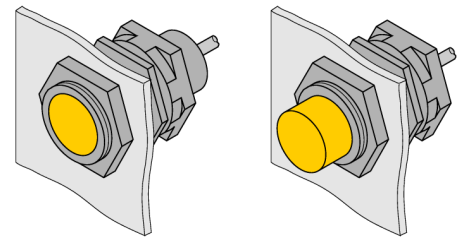
**Mounting accessories**  
**QM-18**

- Quick-mount bracket with dead-stop;
- Material: Chrome-plated brass
- External thread M24 x 1.5

**General description**

The sensor programme comprises inductive, magnetic-inductive, capacitive, photoelectric and ultrasonic sensors as well as pressure and flow controls.

A broad range of practice-oriented accessories ensure optimal adaption to your system.



<b>Type code</b>	QM-18
Ident no.	6945102
<b>Design</b>	accessories for threaded barrels, M18
Dimensions	34 mm
Housing material	Metal, CuZn, chrome-plated