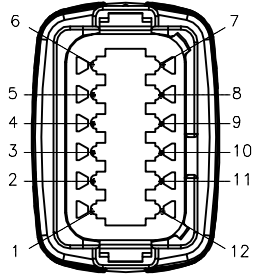
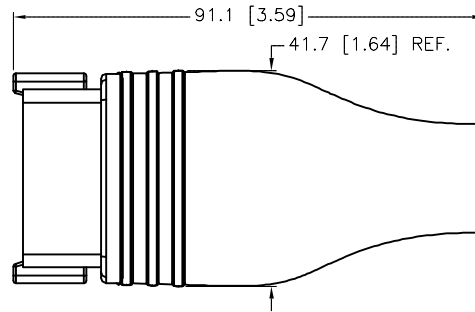
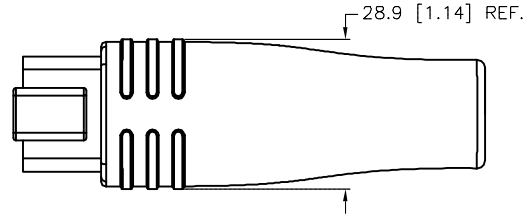


DEUTSCH END VIEW: MALE



SPECIFICATIONS

DEUTSCH CONNECTOR	DT04-12PA
DEUTSCH WEDGELock	W12P
DEUTSCH TERMINALS	0460-202-16141
RATED CURRENT [A]	6.0 A
MOLDED HEAD MATERIAL/COLOR	TPU/BLACK
PROTECTION CLASS	IP67



SOURCE DRAWING - FOR REFERENCE ONLY

RELATED DOCUMENTS 1. 2. 3. 4.	3RD ANGLE PROJECTION 	THIS DRAWING IS CONFIDENTIAL AND THE PROPERTY OF TURCK INC. USE OF THIS DOCUMENT WITHOUT WRITTEN PERMISSION IS PROHIBITED.		3000 CAMPUS DRIVE MINNEAPOLIS, MN 55441 1-800-544-7769 (763) 553-7300 (763) 553-0708 fax turck.com		
	MATERIAL SEE SPECIFICATIONS	ALL DIMENSIONS DISPLAYED ON THIS DRAWING ARE FOR REFERENCE ONLY	DRFT NF	DATE 05/06/15	DESCRIPTION DT04-12PA	
			APVD C.K.	SCALE 1=1.5		
	FINISH SEE SPECIFICATIONS	CONTACT TURCK FOR MORE INFORMATION	UNIT OF MEASUREMENT MILLIMETER [INCH]		IDENTIFICATION NO. U2-24760	REV A
DO NOT SCALE THIS DRAWING		FILE: U2-24760		SHEET 1 OF 1		

A	DRAWING RELEASE	NF	11/17/15	
REV	DESCRIPTION	BY	DATE	ECO NO.