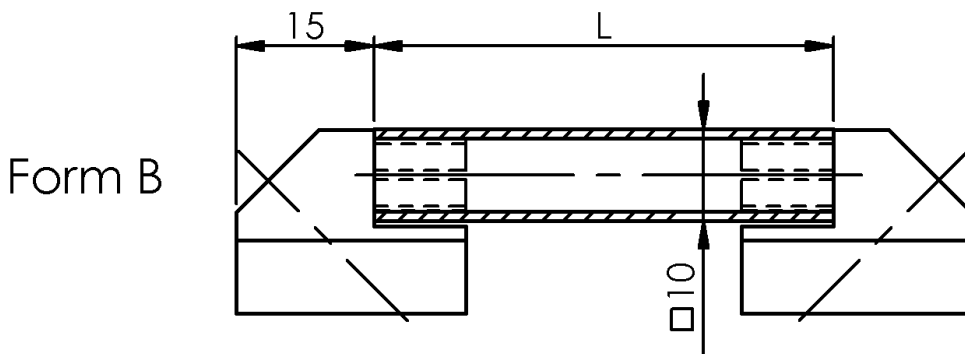
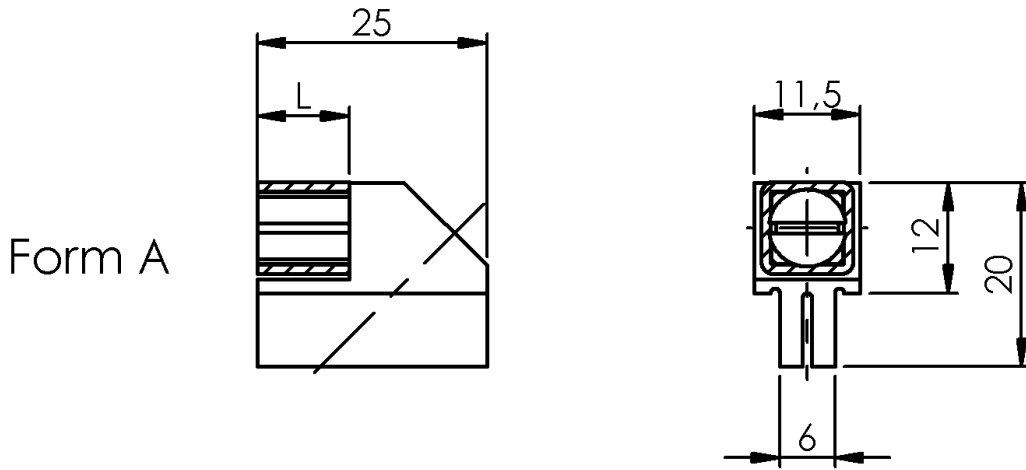


BEN 516-14-160
BEN0010



Material

Material sensing surface	Steel
Surface protection	bronzed

Mechanical data

Clamping system	Expansion clamp
Foot shape for	U-slot
Foot width	6.00 mm
Height above cam tray	12.00 mm

BEN 516-14-160 BEN0010

Switch position spacing	12 mm 16 mm	Use for cam tray	BNL 5307-160-... BNL 5307-120-... BNL 5304-160-... BNL 5304-120-...
Switching surface, length (L)	160 mm	Width of switching area	10.00 mm