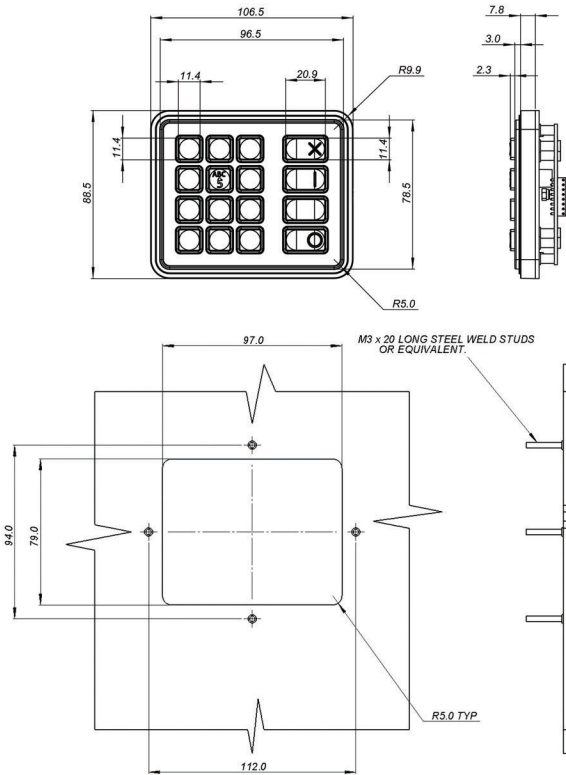


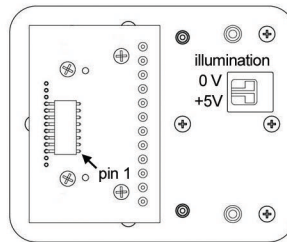
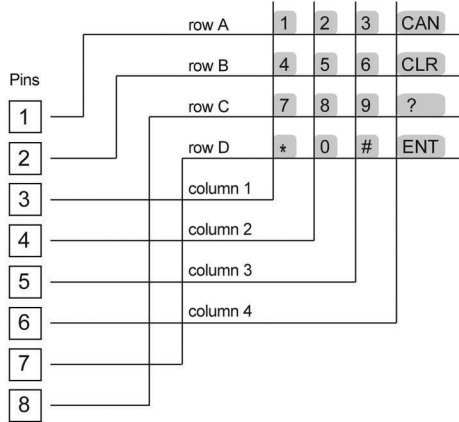
storm

Small Footprint – SF6000 Series Keypad

Dimensions



Connection Details



Keypad connector

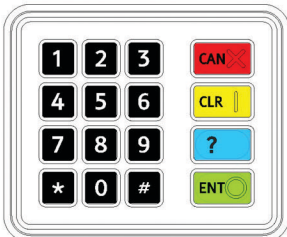
8-position, 0.1" pitch, gold plated right angle pins w/friction lock mates with: **Molex 22013087**

Illumination connector

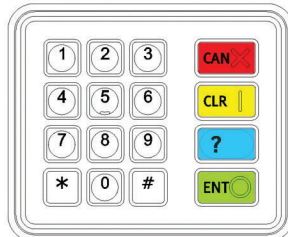
2-position, disconnectable mates with: **JST PHR-2**



Keypad Layouts

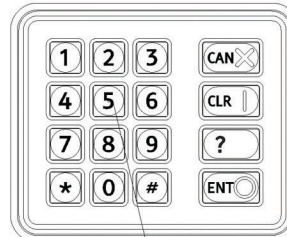


All other keys are black polymer, laser marked white.



All other keys are metal, engraved and infilled black

Red Polymer Key
with raised cross
Yellow Polymer Key
with raised vertical bar
Blue Polymer Key
no raised feature
Green Polymer Key
with raised circle



5 Key has central homepip

All keys are translucent white marked with black characters

Red Illumination
with raised cross
Yellow Illumination
with raised vertical bar
Blue Illumination
no raised feature
Green Illumination
with raised circle

Electrical

Keypad Operating Voltage	24V DC (max)
Keypad Operating Current	50mA (max)
Contact Resistance	100 ohms (max)
Illumination Voltage	5V DC (separate connector)

Mechanical

Minimum Operational Life	4 million cycles/key
Keytop Travel	1.5 mm
Actuation Force	150 gm

Environmental

Operating Temperature	-20°C to 60°C
Vandal Resistant	20J BS EN 60068-2-75: 1997
Weather Resistant	IP65 (where mounted to a suitable enclosure – panel mount gasket included)

Ordering Details

Stock No.	Description
8616-21002[x]	Laser Engraved polymer Keys
8616-31002[x]	Engraved Metal Keys
8616-41002[x]	Illuminated Polymer Keys
8600-MK000[x]	Under Panel Mount Kit
4200-003	RS-232 Encoder

Whilst every effort is made to ensure details are correct at time of print, specifications are subject to change without notice.



UL File reference: E230121

Designed & produced by
NIK Design
www.nikdesign.co.uk



860-LIT-01 Rev 2
Dec 2007



FM 39602



UK Office:

Storm Interface
14 Bentinck Court
Bentinck Road
West Drayton
Middlesex UB7 7RQ

Tel: +44 (0)1895 431421
Fax: +44 (0)1895 431132

Email: sales@storm-interface.com

www.storm-interface.com

Storm is a trademark of Keymat Technology Ltd
Storm Interface is a trading name of Keymat Technology Ltd

Storm Interface products include technology protected by international patents and design registration. All rights reserved.