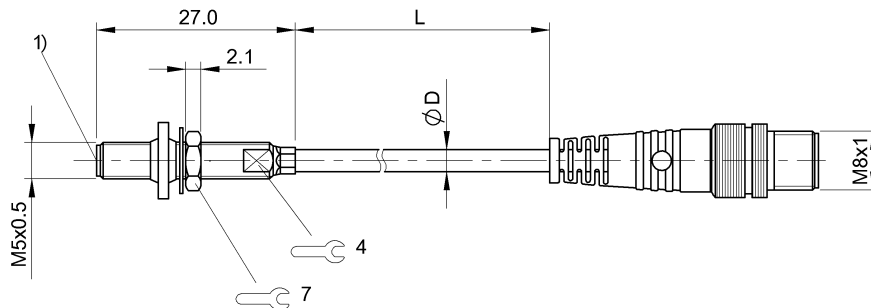


BES M05ED-NOD08B-BP00,3-GS49-R03 BES03LH



1) Sensing surface



IND. CONT. EQ
81U2
US
for use in the secondary of
a class 2 source of supply
Environmental - Type 1 Enclosure



Display/Operation

Function indicator	no
Power indicator	no

Electrical connection

Cable diameter D	3.00 mm
Cable length	0.3 m
Connection	M8x1-Connector, 3-pole
Connection type	Cable with connector, 0.30 m, PUR
Polarity reversal protected	yes
Short-circuit protection	yes

Electrical data

Hysteresis H max. (% of Sr)	15.0 %
Load capacitance max. at Ue	0.2 µF
No-load current I _o max., undamped	10 mA
Operating voltage U _b	10...30 VDC
Output resistance R _a	Open collector
Pollution degree	3
Protected against miswiring	yes
Rated insulation voltage U _i	75 V DC
Rated operating current I _e DC	100 mA
Rated operating voltage U _e DC	24 V
Rated short circuit current	100 A
Ready delay t _v max.	25 ms
Repeat accuracy max. (% of Sr)	5.0 %
Residual current I _r max.	80 µA
Switching frequency	3000 Hz
Utilization category	DC -13
Voltage drop static max.	3 V

Environmental conditions

Ambient temperature	-25...70 °C
Protection type IEC 60529	IP67

General data

Approval/Conformity	CE cULus EAC
Basic standard	IEC 60947-5-2

Material

Gasket, material	PA
Housing material	Stainless steel
Material jacket	PUR
Material sensing surface	Ceramic

Mechanical data

Dimension	Ø 5 x 27 mm
Installation	for flush mounting
Pressure rating max.	100 bar
Pressure rating, note	oil pressure rated
Sealing ring, part number	178173
Sealing ring, size	10.4 x 3.5 mm
Size	M5x0.5
Tightening torque	1 Nm ±10 %

Output/Interface

Switching output	NPN Normally closed (NC)
------------------	--------------------------

BES M05ED-NOD08B-BP00,3-GS49-R03 BES03LH

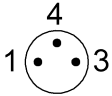
Range/Distance

Assured operating distance Sa	0.65 mm
Range	0.8 mm
Rated operating distance Sn	0.8 mm
Ripple max. (% of Ue)	10 %
Temperature drift max. (% of Sr)	10 %

Remarks

Installation Instructions 868058
The sensor is functional again after the overload has been eliminated.
EMC: EMC protection circuit required, see 825345. IVW: 2.2

Connector view



Wiring Diagram

