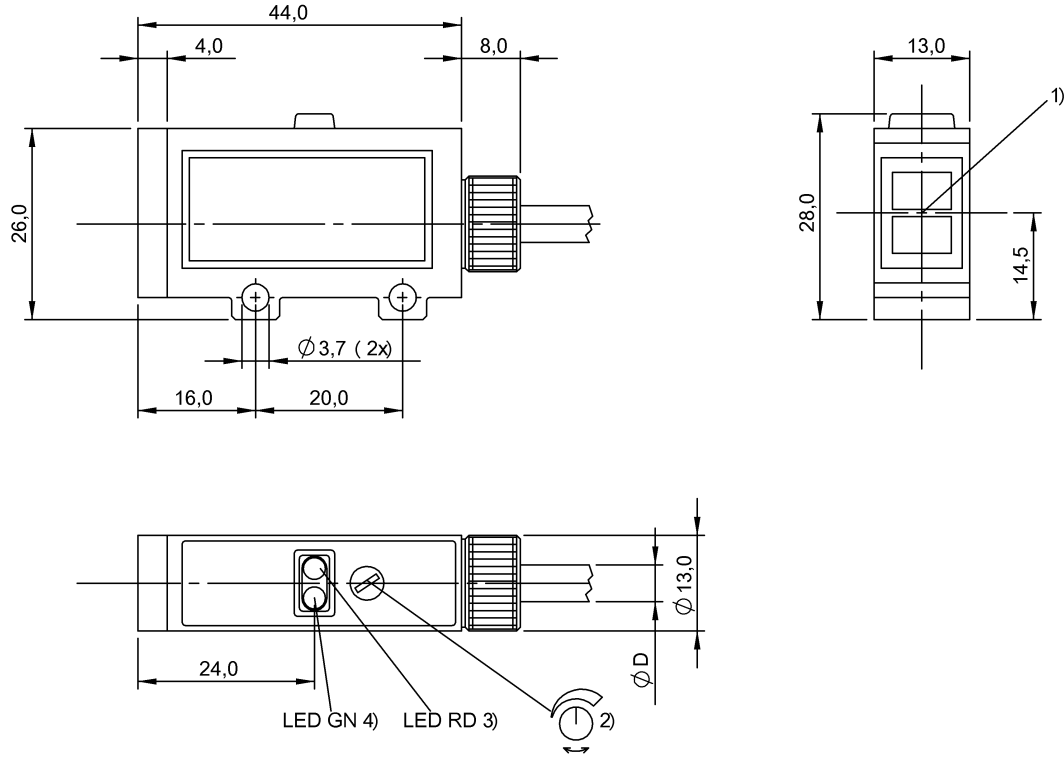


BOS 15K-S-A0.6-SA1 BOS00FL



1) Optical axis 2) Sn 3) Output function 4) stability



Display/Operation

Adjuster	Potentiometer 270° (1x)
Setting	Sensitivity (Sn)

Electrical connection

Cable diameter D	5.00 mm
Cable length	2 m
Conductor cross-section	0.25 mm ²
Connection type	Cable, 2.00 m, PVC
Number of conductors	5
Polarity reversal protected	yes
Short-circuit protection	yes

Electrical data

Load capacitance max. at U _e	0.5 µF
No-load current I _o max. at U _e	30 mA
Operating voltage U _b	10...30 VDC
Rated insulation voltage U _i	75 V DC
Rated operating current I _e DC	100 mA
Rated operating voltage U _e DC	24 V

Switching frequency	500 Hz
Turn-off delay t _{off} max.	1 ms
Turn-on delay t _{on} max.	1 ms
Utilization category	DC -13
Voltage drop U _d max. at I _e	1.5 V

Environmental conditions

Ambient temperature	-15...55 °C
Protection type IEC 60529	IP66
Reference reflector	BOS R-1

General data

Approval/Conformity	CE
Basic standard	IEC 60947-5-2
Series	15K
Style	Square Straight connection

Material

Housing material	ABS
Material jacket	PVC

BOS 15K-S-A0.6-SA1 BOS00FL

Material sensing surface	PMMA	Switching output	PNP/NPN Normally open/ Normally closed (NO/NC)
--------------------------	------	------------------	---

Mechanical data

Dimension	13 x 28 x 52 mm
Fastening detail	Screw M3

Optical data

Ambient light max.	3000 Lux
Light type	Infrared
Polarizing filter	no
Principle of optical operation	Retroreflective sensor
Wave length	880 nm

Output/Interface

Input function	Switching output PNP/NPN Light-on/dark-on
----------------	--

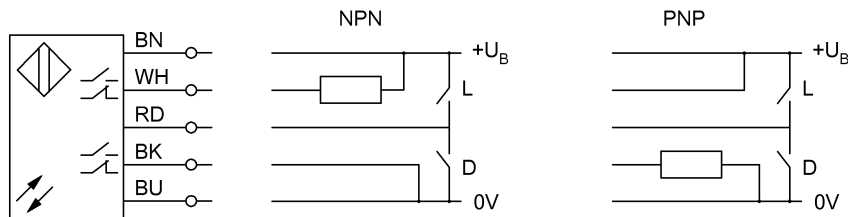
Range/Distance

Measuring range	0...600 mm
Range	0...600 mm
Rated operating distance S_n	600 mm, Adjustable
Ripple max. (% of U_e)	8 %

Remarks

Order accessories separately.
For additional information, refer to user's guide.
The sensor is functional again after the overload has been eliminated.
Actuation object (target): gray card, 200 x 200, 90 % remission, lateral approach, approach direction vertical to lens axis plane.

Wiring Diagram



Symbols for Optoelectronic Sensors

