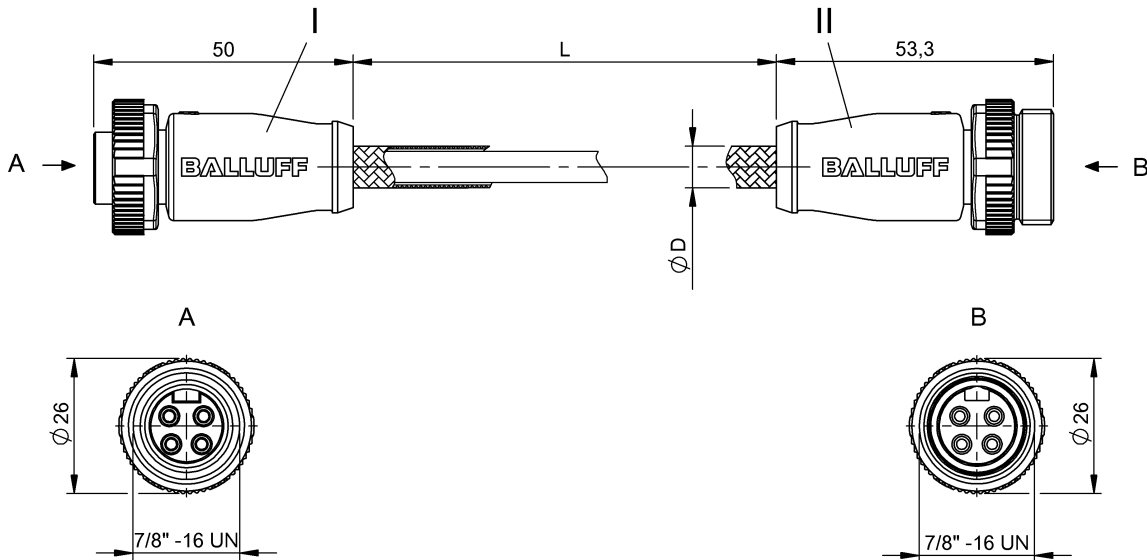


BCC B314-B314-30-304-MW8434-200 BCC0FAN



4MT5
(CJ/VV CABLE ASSEMBLY)

Electrical connection

Bending radius min., fixed cable	5 x D
Bending radius min., flexible cable	10 x D
Cable	V2A gray, 20.00 m, welding spark resistant
Cable diameter D	5.10 mm ±0.20 mm
Cable, bending cycles min.	5 million
Conductor cross-section	0.34 mm ²
Number of conductors	4
Number of pins	4/4
Protection jacket color	silver
System	Molded/Molded

Electrical data

Rated current (40 °C)	4.0 A
-----------------------	-------

Environmental conditions

Cable temperature, fixed routing	-50...90 °C
Cable temperature, flexible routing	-25...90 °C
Protection type IEC 60529	IP68 /IP68

Functional safety

Cable temperature UL max., fixed routing	80 °C
Cable temperature UL max., flexible routing	80 °C

General data

Application	very good mechanical strength
Approval/Conformity	cULus LISTED

Material

Material contact carrier	PUR/PUR
Material contacts	Brass/Brass
Material cover nut	Die-cast zincPTFE coated/Die-cast zincPTFE coated
Material grip	TPU, Special
Protective jacket material	V2A

Mechanical data

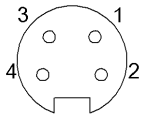
Tightening torque pigtail	1.5 Nm/1.5 Nm
---------------------------	---------------

Remarks

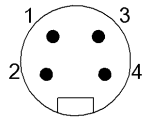
Enclosure rating per IEC 60529, only in screwed state with the associated mating piece.
Cable construction acc. to UL-AWM Style 20549
Halogen-free per DIN VDE 0472 Part 815
Flame resistance per UL FT2
Maximum temperature at outer jacket from weld splatter/beads short-time 800°C.

BCC B314-B314-30-304-MW8434-200
BCC0FAN

Connector view



I



II

Wiring Diagram

