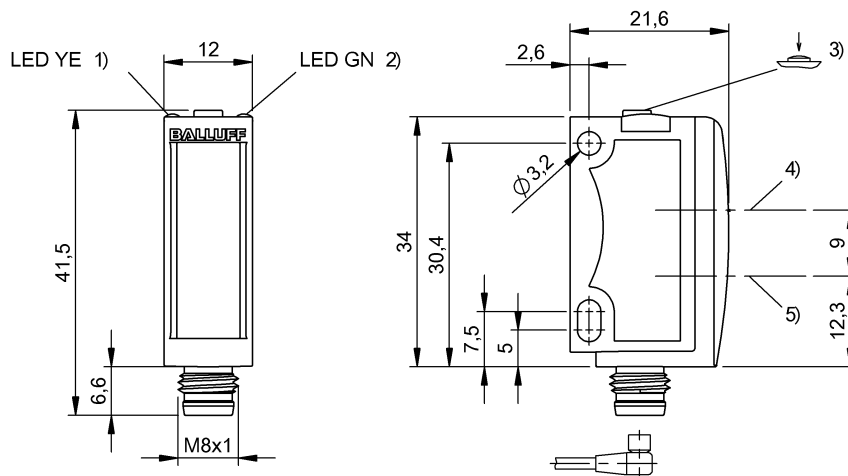


## BOS 6K-PU-RE10-S75 BOS01M9



1) Output function 2) Operating voltage 3) Sensitivity, light/dark 4) Optical axis



### Display/Operation

Adjuster	Key (1x)
Setting	Sensitivity (Sn) Light-on/dark-on Teach mode Stand./Dyn.

### Electrical connection

Connection	M8x1-Connector, 4-pole
Polarity reversal protected	yes
Short-circuit protection	yes

### Electrical data

MTTF (40 °C)	504 a
No-load current $I_{0 \max.}$ at $U_e$	30 mA
Operating voltage $U_b$	10...30 VDC
Rated operating current $I_e$ DC	100 mA
Rated operating voltage $U_e$ DC	24 V
Reference emitter	BOS 6K-...-RS10-..
Switching frequency	1000 Hz
Turn-off delay $t_{off \max.}$	0.5 ms
Turn-on delay $t_{on \max.}$	0.5 ms
Voltage drop $U_d \max.$ at $I_e$	2.4 V

### Environmental conditions

Ambient temperature	-20...60 °C
IP rating per DIN 40050	IP69K
Protection type IEC 60529	IP67

### Functional safety

Diagnostic coverage	0.0 %
Functional safety	no
Mission Time	10 a

### General data

Approval/Conformity	cULus CE
Basic standard	IEC 60947-5-2
Series	6K
Style	Square Connection 90°

### Material

Housing material	ABS
Material sensing surface	PMMA

### Mechanical data

Dimension	12 x 41.5 x 21.6 mm
Fastening detail	Screw M3

### Optical data

Ambient light max.	5000 Lux
Light type	LED Red light
Principle of optical operation	Through-beam sensor (receiver)

## BOS 6K-PU-RE10-S75 BOS01M9

### Output/Interface

Input function	Same function as button Key disable on/off
Switching output	PNP Normally open/Normally closed (NO/NC)

### Range/Distance

Measuring range	0...13 m
Range	0...13 m
Rated operating distance $S_n$	13 m, Adjustable
Ripple max. (% of $U_e$ )	12 %

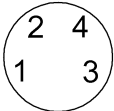
### Remarks

Do not press key using a pointed tool.  
For additional information, refer to user's guide.  
Order accessories separately.  
Only for applications per NFPA 79 (machines with a supply voltage of maximum 600 V). Use an R/C (CYJV2) cable with suitable properties for attaching the device.  
The sensor is functional again after the overload has been eliminated.  
Actuation object (target): gray card, 200 x 200, lateral approach  
When using as a UL product the ambient temperature  $T_a$  max. must not exceed 50°C.

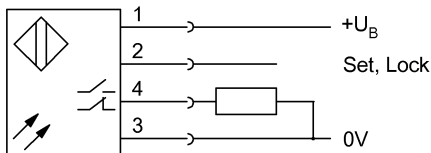
For further information on MTTF/B10d, please refer to the MTTF / B10d Certificate.

Specification of the MTTF value and the B10d value do not represent any binding quality and/or life expectancy guarantees.

### Connector view



### Wiring Diagram



### Symbols for Optoelectronic Sensors

