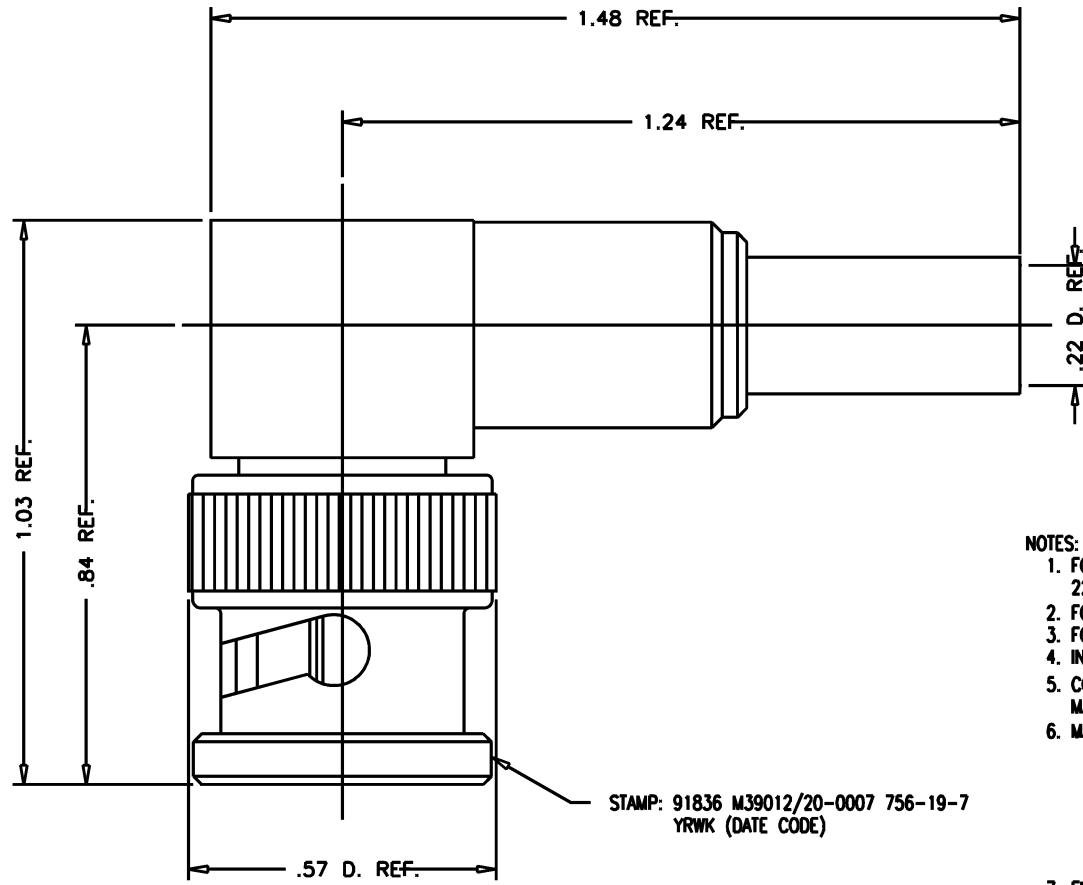


SD



NOTES:

1. FOR USE WITH RG-55, 55A, 55B, 142, 142A, 142B, 223, & 400/U CABLES.
2. FOR CABLING INSTRUCTIONS SEE CP-465.
3. FOR CRIMPING USE DIE KTH-2001.
4. INTERFACE PER MIL-STD-348, FIG. 301-1.
5. CONTACT MUST BE SOLDERED ON RG-55 & 55B/U BUT MAY BE CRIMPED ON BALANCE OF CABLE GROUPS.
6. MATERIALS:
 INSULATORS: TEFLON, ASTM-D-4894
 GASKET: SIL. RUB., A-A-59588, CLASS 1B
 K-GRIP SLEEVE: COM. BRONZE, ASTM-B-135
 ANGLE CONTACT } BER. COP., ASTM-B-196 C17300 TD04
 OUTER CONTACT }
 ALL OTHER PARTS: BRASS, ASTM-B16, C36000, H02
7. FINISHES:
 CENTER CONTACTS: HARD GOLD PLT. ASTM-B488
 ALL OTHER METAL PARTS: SILVER PLATE PER ASTM-B700
8. ELECTRICAL CHARACTERISTICS:
 NOMINAL IMPEDANCE: 50 OHMS
 FREQUENCY RANGE: DC TO 4 GHz.
 VOLTAGE RATING: 500 VRMS

SD

M39012/20-0007

REVISIONS

ISSUE	CHANGES
0	ER 38018 HVN 05/24/00
1	CN 39089 C HVN 02/24/04
2	CN 39355 E HVN 11/09/05
3	CN 39618 E AM 09/08/06

756-19-7

SCALE 4:1	
APPROX SURFACE AREA	
USED ON	
REF: 2026-29-7	
PLUG, ANG, BNC	
DRAWN TML	DATE 03/02/00
DESIGN GEH	DATE 03/02/00
APPR.	DATE
KINGS ELECTRONICS CO., INC. ROCK HILL, SOUTH CAROLINA 29730	
M39012/20-0007	