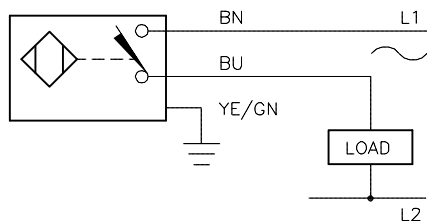
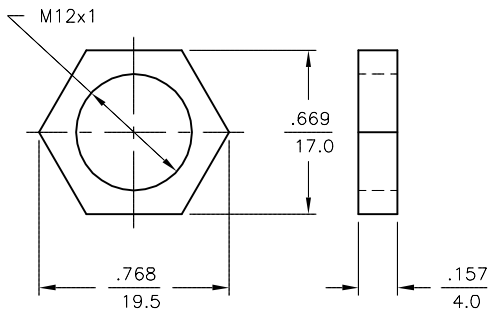


WIRING DIAGRAM



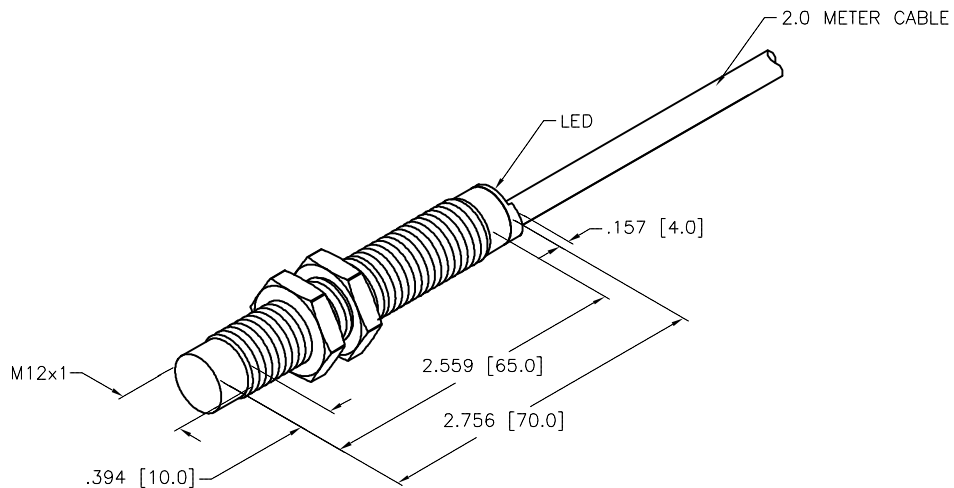
OUTPUT: ADZ32X

LOCKNUT LN-SS12



SPECIFICATIONS

RATED OPERATING DISTANCE	8 mm = .315"
MOUNTING MODE	NON-FLUSH
TEMPERATURE DRIFT	≤±10%
HYSTERESIS	3-15%
MIN. REPEAT ACCURACY	≤2%
OPERATING TEMPERATURE	-25°C to +70°C (-13°F to +158°F)
RATED OPERATIONAL VOLTAGE	20-250 VAC/10-300 VDC
MAX. RIPPLE	≤10%
RATED OPERATIONAL CURRENT	≤100 mA
RESIDUAL CURRENT	≤1.7 mA
RATED INSULATION VOLTAGE	≤0.5 kV
SHORT-CIRCUIT PROTECTION	YES
MAX. VOLTAGE DROP	≤6 V
MIN. OPERATIONAL CURRENT	≥3 mA
LINE FREQUENCY	40-60 Hz
SWITCHING FREQUENCY	≤0.02 kHz
OUTPUT FUNCTION	2-WIRE, NORMALLY OPEN, SELF CONTAINED
CABLE	PVC
VIBRATION RESISTANCE	55 Hz (IN ALL 3 PLANES)
SHOCK RESISTANCE	30 g, 11 ms
DEGREE OF PROTECTION	IP 67
SWITCHING STATUS INDICATION	LED, YELLOW



SOURCE DRAWING - FOR REFERENCE ONLY

RELATED DOCUMENTS 1. 2. 3. 4.	3RD ANGLE PROJECTION 	THIS DRAWING IS CONFIDENTIAL AND THE PROPERTY OF TURCK INC. USE OF THIS DOCUMENT WITHOUT WRITTEN PERMISSION IS PROHIBITED.		3000 CAMPUS DRIVE MINNEAPOLIS, MN 55441 1-800-544-7769 (763) 553-7300 (763) 553-0708 fax turck.com	
	MATERIAL STAINLESS STEEL BARREL	ALL DIMENSIONS DISPLAYED ON THIS DRAWING ARE FOR REFERENCE ONLY  CONTACT TURCK FOR MORE INFORMATION	DRFT RDS DATE 08/15/11	DESCRIPTION NI 8-EM12E-ADZ32X	
FINISH	APVD SCALE 1=1.3		UNIT OF MEASUREMENT <b>INCH [ MILLIMETER ]</b>		IDENTIFICATION NO. T4205590-000
B UPDATE SWITCHING FREQUENCY SPEC. RDS 03/20/13 41657		DO NOT SCALE THIS DRAWING		FILE: T4205590-000 SHEET 1 OF 1	
REV DESCRIPTION	BY DATE ECO NO.				

B	UPDATE SWITCHING FREQUENCY SPEC.	RDS	03/20/13	41657
REV	DESCRIPTION	BY	DATE	ECO NO.