
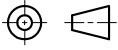


SOURCE DRAWING - FOR REFERENCE ONLY

NOTES:

1. "/CS30031" DESIGNATES ADDRESS WINDOW REPLACED WITH BLACK, FLAT HOUSING COVER, FOR WATER BASED COOLANT APPLICATIONS

SEE WWW.TURCK.COM FOR ELECTRICAL SPECIFICATIONS AND I/O DATA

RELATED DOCUMENTS		3RD ANGLE PROJECTION		THIS DRAWING IS PROPERTY OF TURCK INC. USE OF THIS DOCUMENT WITHOUT WRITTEN PERMISSION IS PROHIBITED.		 3000 CAMPUS DRIVE MINNEAPOLIS, MN 55441 1-800-544-7769 (763) 553-7300 (763) 553-0708 fax turck.com	
<ol style="list-style-type: none"> 1. 2. 3. 4. 				DRFT RDS	DATE 04/27/10	DESCRIPTION FLDP-OM 8-0002/CS30031	
MATERIAL		ALL DIMENSIONS DISPLAYED ON THIS DRAWING ARE FOR REFERENCE ONLY		DSGN	SCALE 1=1.5	IDENTIFICATION NO.	
FINISH		CONTACT TURCK FOR MORE INFORMATION		UNIT OF MEASUREMENT MILLIMETER [INCH]		REV A	
A DRAWING RELEASE		RDS	05/07/10	DO NOT SCALE THIS DRAWING		FILE: F6611777	
REV	DESCRIPTION	BY	DATE	ECO NO.	SHEET 1 OF 1		