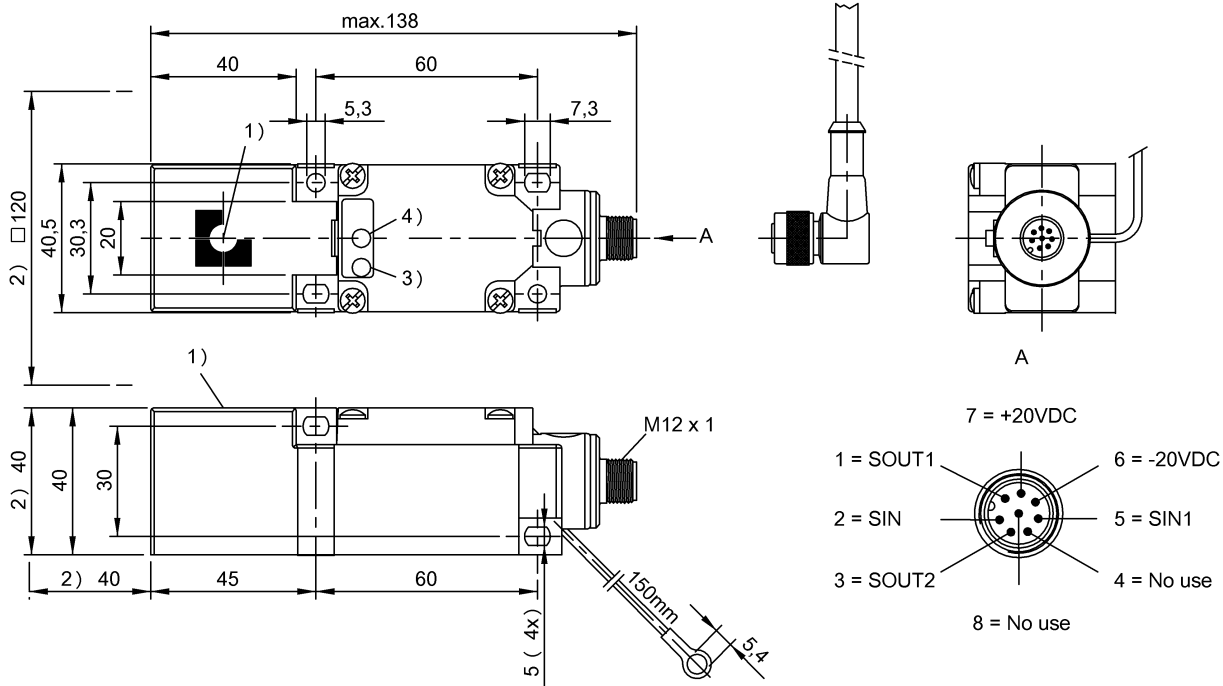


BIS S-303-S115 BIS005T



1) Sensing surface 2) Clear zone 3) LED (Power) 4) LED (in Zone)



Display/Operation

Function indicator TP (Tag Present)

Electrical connection

Connection Connector, 8-pole

Environmental conditions

Ambient temperature	0...70 °C
EN 60068-2-27, Continuous shock load	yes
EN 60068-2-27, Shock	yes
EN 60068-2-6, Vibration	yes
Protection type IEC 60529	IP67
Storage temperature	-20...85 °C

Functional safety

EN 60068-2-32 Free fall yes

General data

Antenna type round

Internet www.balluff.com
 Balluff Germany +49 (0) 7158 173-0, 173-370
 Balluff USA 1-800-543-8390
 Balluff China +86 (0) 21-50 644131

Approval/Conformity
EN 55011

CE
Size 1, Cl. A

Material

Housing material ABS

Mechanical data

Application weight	220.00 g
Dimension	40 x 40 x 138 mm
Installation	with clear zone (in steel)

Remarks

For installation in metal: Observe clear zone.
 Values are under rated conditions unless otherwise specified.
 Only together with BIS S-6xxx
 For basic equipment order cable also e.g.: BIS Z-501-PU1-05/E BISZ-501-PU1-10/E BIS Z-501-PU1-15/E BIS Z-501-PU1-20/E BIS Z-501-PU1-25/E BIS Z-501-PU1-50/E BIS Z-501-PU1-00,5/M BIS Z-501-PU1-01/M BIS Z-501-PU1-02/M BIS Z-501-PU1-05/M BIS Z-502-PU1-05/E BIS Z-502-PU1-10/E BIS Z-502-PU1-15/E BIS Z-502-PU1-20/E BIS Z-502-PU1-25/E BIS Z-502-PU1-50/E BIS Z-502-PU1-00,5/M BIS Z-502-PU1-01/M BIS Z-502-PU1-02/M BIS Z-502-PU1-05/M

For definitions of terms, see main catalog
 Subject to change without notice

eCl@ss 9.1: 27-28-04-01
 ETIM 6.0: EC002996
 BIS005T_09-03-17_23:35

BIS S-303-S115
BIS005T

Additional View

Appropriate data carrier		BIS S-108-_-_/L non-flush
Static mode		
Write distance in mm		5-20
Read distance in mm		5-20
Offset in mm at distance	5 mm	±5
	7 mm	±5
	10 mm	±5
	15 mm	±5
	20 mm	±5
	30 mm	
	50 mm	