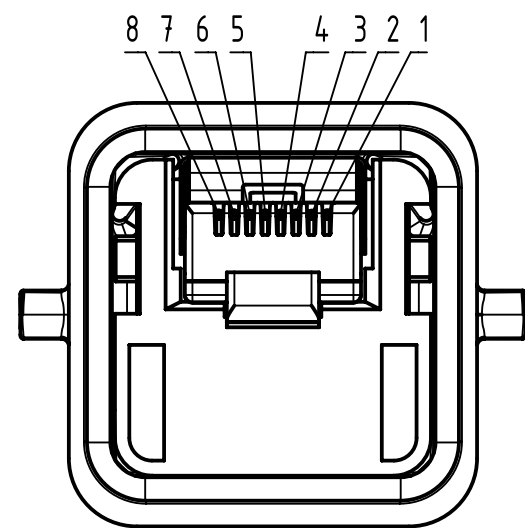


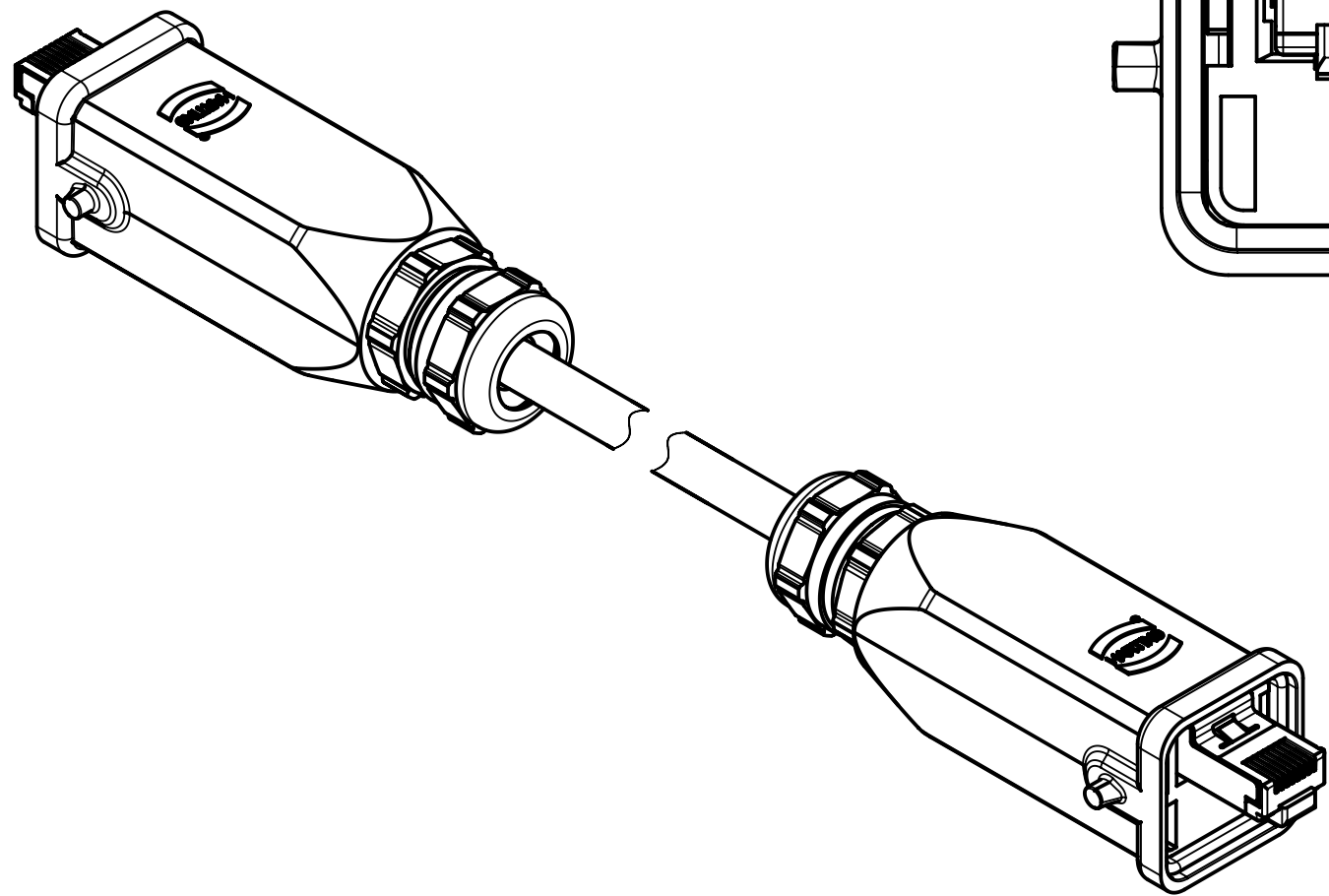
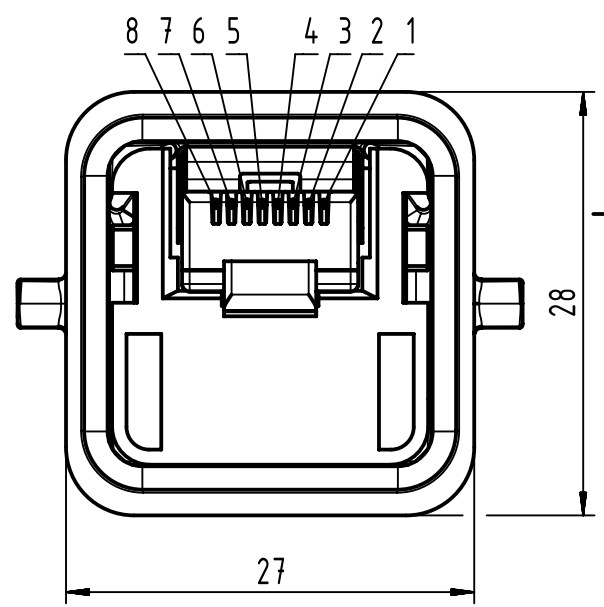
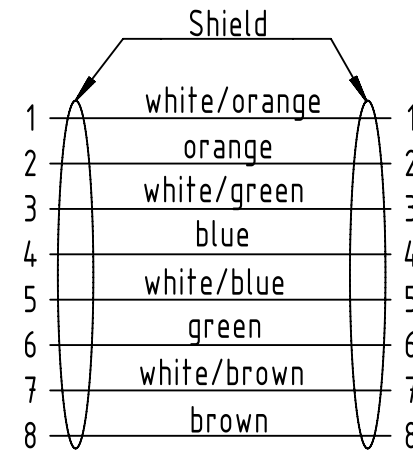
- Protection level: IP67/65
 - Temperature range: -20°C ... +80°C

X (2:1)



Y (2:1)



Loading-Plan
 acc. to TIA/EIA 568B



| | | | | | |
|--|---|--|-----------------------|-----------------------------|--|
| | All rights reserved Department EC PD - RO HARTING Electronics GmbH D-32339 Espelkamp | All Dimensions in mm Original Size DIN A3 | Scale 1.5:1 | Free size tol. | Ref. Sub. |
| | | Created by MUNTEANV | Inspected by AVRAM | Standardisation HOFFMANN | Date 2016-02-18 |
| | | Title RJ Industrial Cable Assembly | | | Doc-Key / ECM-Nr. 100155415/UGD/012/E 500000100469 |
| | | Type TB | Number 094571515XX | | Rev. E |
| | | | | | Page 1/2 |

| 1 | 2 | 3 | 4 | 5 | 6 | 7 | 8 | | |
|---|--|--------------------|---|--------|------------------------------------|--------------------|--|-----------------|---------------------|
| A | | | | | | | | | |
| B | 33 | 09457151578 | RJ45 Ethernet stranded cable, AWG 26/7, 4x2x0.5/1.0, Cat. 6A, PUR, yellow | Ø6.7 | 100 | | | | |
| | 32 | 09457151577 | | | 40 | | | | |
| | 31 | 09457151576 | | | 30 | | | | |
| | 30 | 09457151575 | | | 25 | | | | |
| | 29 | 09457151574 | | | 20 | | | | |
| | 28 | 09457151573 | | | 15 | | | | |
| | 27 | 09457151572 | | | 10 | | | | |
| | 26 | 09457151571 | | | 9 | | | | |
| | 25 | 09457151570 | | | 8 | | | | |
| | 24 | 09457151569 | | | 7 | | | | |
| | 23 | 09457151568 | | | 6 | | | | |
| | 22 | 09457151567 | | | 5 | | | | |
| | 21 | 09457151566 | | | 4 | | | | |
| | 20 | 09457151565 | | | 3 | | | | |
| | 19 | 09457151564 | | | 2 | | | | |
| | 18 | 09457151563 | | | 1.5 | | | | |
| | 17 | 09457151562 | | | 1 | | | | |
| | 16 | 09457151561 | | | 0.5 | | | | |
| C | | | | | | | | | |
| D | 15 | 09457151553 | RJ45 Ethernet stranded cable, AWG 26/7, 4x2x0.5/1.0, Cat. 6A, PVC, yellow | Ø6.6 | 20 | | | | |
| | 14 | 09457151552 | | | 15 | | | | |
| | 13 | 09457151551 | | | 10 | | | | |
| | 12 | 09457151532 | | | 30 | | | | |
| | 11 | 09457151531 | | | 9 | | | | |
| | 10 | 09457151530 | | | 8 | | | | |
| | 9 | 09457151529 | | | 7 | | | | |
| | 8 | 09457151528 | | | 6 | | | | |
| | 7 | 09457151527 | | | 5 | | | | |
| | 6 | 09457151526 | | | 4 | | | | |
| | 5 | 09457151525 | | | 3 | | | | |
| | 4 | 09457151524 | | | 2 | | | | |
| | 3 | 09457151523 | | | 1.5 | | | | |
| | 2 | 09457151522 | | | 1 | | | | |
| | 1 | 09457151521 | | | 0.5 | | | | |
| E | | | | | | | | | |
| F | | | | | | | | | |
| | Cont. no. | Part-no. | | | Type of cable | Dim. d [mm] | Dim. a[m] | | |
| | 47 | 09457151594 | RJ45 Ethernet stranded cable, 4x2xAWG 26/7, PVC, outdoor, Cat. 6A, black | Ø6.6 | 20 | | | | |
| | 46 | 09457151593 | | | 15 | | | | |
| | 45 | 09457151592 | | | 10 | | | | |
| | 44 | 09457151591 | | | 9 | | | | |
| | 43 | 09457151590 | | | 8 | | | | |
| | 42 | 09457151589 | | | 7 | | | | |
| | 41 | 09457151588 | | | 6 | | | | |
| | 40 | 09457151587 | | | 5 | | | | |
| | 39 | 09457151586 | | | 4 | | | | |
| | 38 | 09457151585 | | | 3 | | | | |
| | 37 | 09457151584 | | | 2 | | | | |
| | 36 | 09457151583 | | | 1.5 | | | | |
| | 35 | 09457151582 | | | 1 | | | | |
| | 34 | 09457151581 | | | 0.5 | | | | |
| | Cont. no. | Part-no. | | | Type of cable | Dim. d [mm] | Dim. a[m] | | |
| |  All Dimensions in mm Original Size DIN A3 | | | | Scale 1:1 | Free size tol. | Ref. | | |
| |  All rights reserved Department EC PD - RO | | | | Created by MUNTEANV | Inspected by AVRAM | Standardisation HOFFMANN | Date 2016-02-18 | State Final Release |
| | HARTING Electronics GmbH D-32339 Espelkamp | | | | Title RJ Industrial Cable Assembly | | Doc-Key / ECM-Nr. 100155415/UGD/012/E 500000100469 | | |
| | Type TB | Number 094571515XX | | Rev. E | Page 2/2 | | | | |