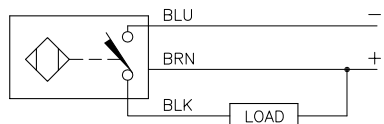


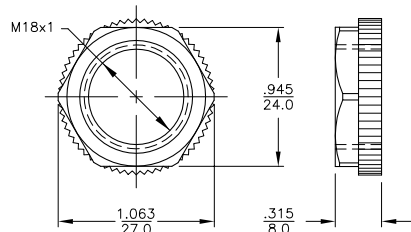
WIRING DIAGRAM

LOCKNUT LN-P18



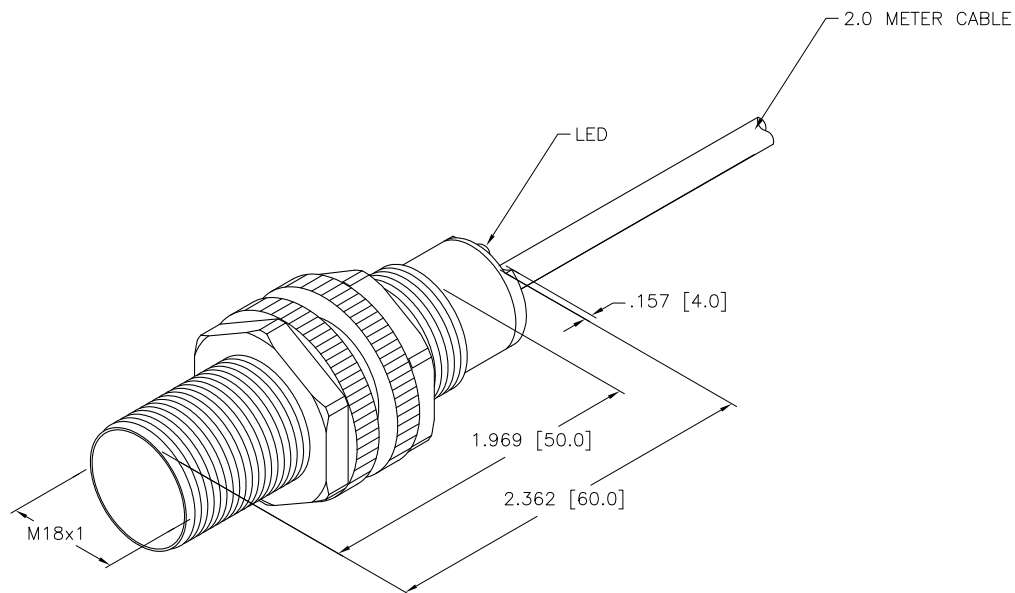
OUTPUT: AN7X

WARNING: NO SHORT-CIRCUIT PROTECTION.  
ALWAYS WIRE A LOAD IN SERIES WITH THE SENSOR.



SPECIFICATIONS

RATED OPERATING DISTANCE	8 mm = .315"
MOUNTING MODE	FLUSH
HYSTERESIS	3-15%
REPEATABILITY	≤ 2%
TEMPERATURE DRIFT	≤ ±10%
OPERATING TEMPERATURE	-25°C to +100°C (-13°F to +212°F)
RATED OPERATING VOLTAGE	10-30 VDC
MAX. RIPPLE	≤ 10%
RATED OPERATIONAL CURRENT	≤ 200 mA
NO-LOAD CURRENT	≤ 10 mA
RESIDUAL CURRENT	≤ 0.1 mA
MAX. SWITCHING FREQUENCY	≤ 0.5 kHz
RATED INSULATION VOLTAGE	≤ 0.5 kV
OUTPUT FUNCTION	3-WIRE DC, NORMALLY OPEN, NPN
SHORT-CIRCUIT PROTECTION	INCORPORATED
MAX. VOLTAGE DROP	≤ 1.0 V
REVERSE POLARITY PROTECTION	INCORPORATED
WIRE-BREAK PROTECTION	INCORPORATED
HOUSING MATERIAL	PLASTIC, PBT-GF30-V0
ACTIVE FACE	PLASTIC, PBT-GF30-V0
CABLE	ø5.2, PVC
VIBRATION RESISTANCE	55 Hz, 1 mm AMPLITUDE (IN ALL 3 PLANES)
SHOCK RESISTANCE	30 x g (11 ms)
DEGREE OF PROTECTION	IP67
SWITCHING STATUS INDICATION	LED, YELLOW



SOURCE DRAWING - FOR REFERENCE ONLY

NOTES:

1. "/S100" DESIGNATES MAX. RATED OPERATING TEMPERATURE OF +100°C.

RELATED DOCUMENTS		3RD ANGLE PROJECTION		THIS DRAWING IS CONFIDENTIAL AND THE PROPERTY OF TURCK INC. USE OF THIS DOCUMENT WITHOUT WRITTEN PERMISSION IS PROHIBITED.		 High Technology Sensors and Automation Controls		3000 CAMPUS DRIVE MINNEAPOLIS, MN 55441 1-800-544-7769 (763) 553-7300 (763) 553-0708 fax turck.com	
1. 2. 3. 4.				DRFT	RDS	DATE	01/10/12	DESCRIPTION	
MATERIAL		ALL DIMENSIONS DISPLAYED ON THIS DRAWING ARE FOR REFERENCE ONLY		APVD	J.M.	SCALE	1=1.0	NI 8-S18-AN7X/S100	
FINISH		CONTACT TURCK FOR MORE INFORMATION		UNIT OF MEASUREMENT		IDENTIFICATION NO.		REV	
				INCH [ MILLIMETER ]		T1773250		A	
A		DRAWING RELEASE		RDS		01/12/12		DO NOT SCALE THIS DRAWING	
REV		DESCRIPTION		BY		DATE		ECO NO.	
								FILE: T1773250	
								SHEET 1 OF 1	