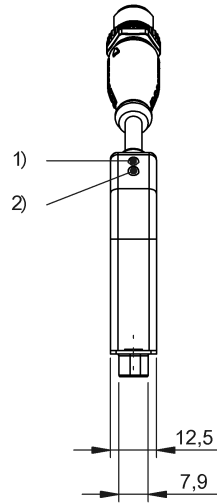
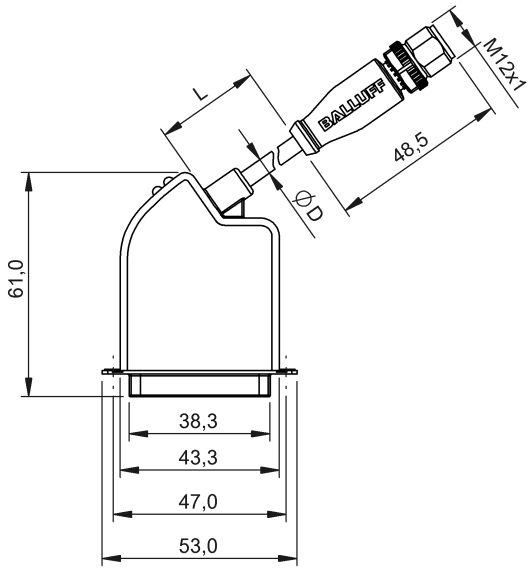


BNI IOL-751-V11-K007  
BNI006T



## Display/Operation

IO-Link communication indicator	yes
Module supply indicator	yes

## Electrical connection

Cable length	0.6 m
Connection type	0.60 m

## Electrical data

Configurable inputs/outputs	no
Current consumption without load	60 mA
Current sum UA, actuator	1.2 A
Cycle time min.	3 ms
Operating voltage Ub	18...30.2 VDC
Output current max.	300 mA
Rated operating voltage Ue DC	24 V

## Environmental conditions

Ambient temperature	-5...55 °C
---------------------	------------

Protection type IEC 60529  
Storage temperature

IP40 plugged in  
-25...70 °C

## General data

Scope of delivery	Short guide
-------------------	-------------

## Material

Housing material	PA
------------------	----

## Mechanical data

Dimension	53 x 60.8 x 12.5 mm
-----------	---------------------

## Output/Interface

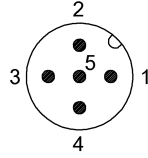
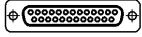
Interface	IO-Link 1.1
IO-Link version	1.1

## Remarks

Installation instructions	See short guide
---------------------------	-----------------

BNI IOL-751-V11-K007  
BNI006T

## Connector view



PIN13: 0V PIN 14-21: Output PIN 1-8: Output

IO-Link PIN 1: +24V, Controller PIN 2: +24V,  
valve PIN 3: 0V PIN 4: IO-Link