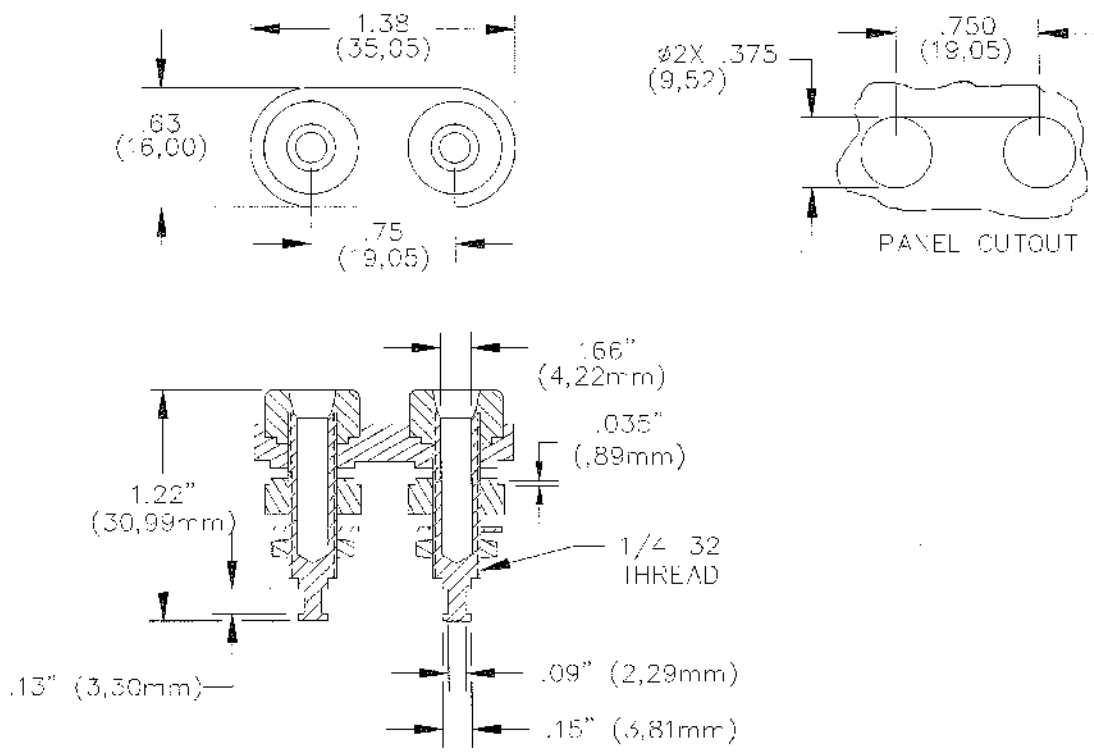




**MODEL: BU-P2269**  
**Double Banana Jack (Panel mount)**



**MATERIALS:**

Contacts – Nickel Plated Brass

Insulators – Nylon

Solder connection

**RATING:**

15 Amps

Hands free testing to 1000 VDC max.

Temperature: -50°C to 120°C